



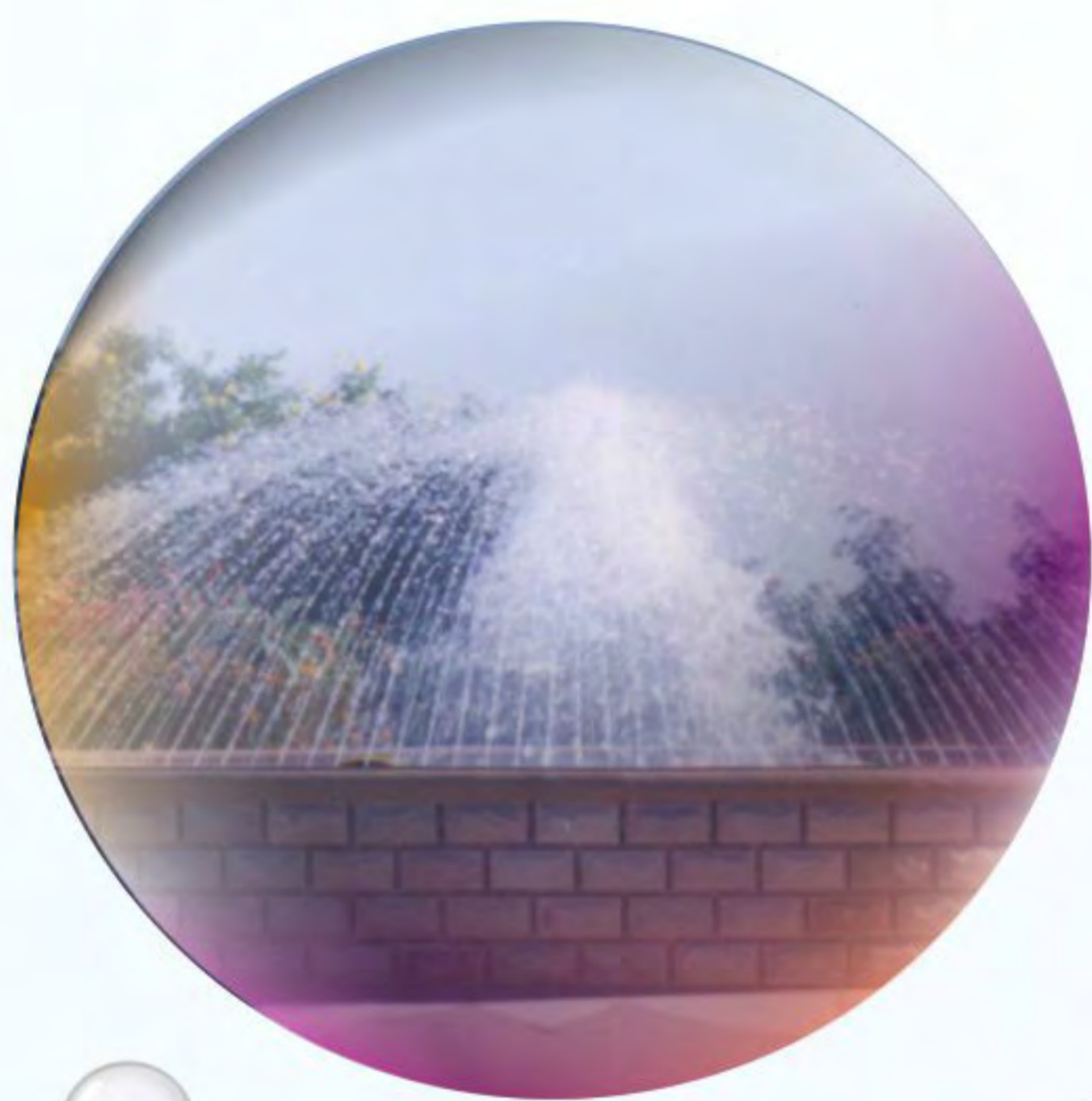
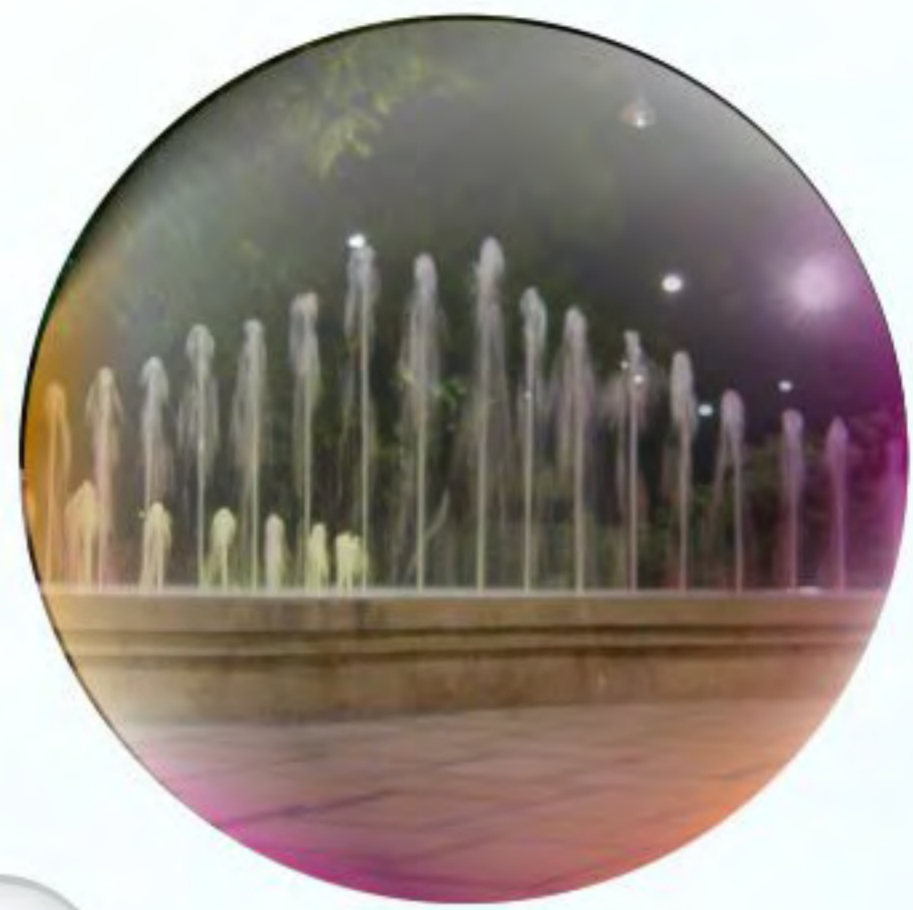
Aquascape™

Aquascape Engineers Pvt. Ltd.

Playing with Water 



COMPONENTS FOR ARCHITECTURAL FLOW
Catalog: 2014 - 2015



EDITORIAL

Dear Business partners,

Over the years, we at Aquascape are proud of the generous support given by our clients, business associates and a team of dedicated personnel, which has been a great asset and hope to continue as we all grow together day by day.

As a leading manufacturer and supplier of fountain solution it is our goal to become a better and better every year. We are always with you as a business partner and growth partner in fountain world. In this commitment we have developing new products to satisfy your needs.

In last three decades, we have made progress in this field and have achieved a satisfied customer base in over 40 countries. Using the versatility and beauty of fountain products, the company is continuously striving for better quality in manufacturing, innovation, new products, technology advancement and world class service through electronic communication.

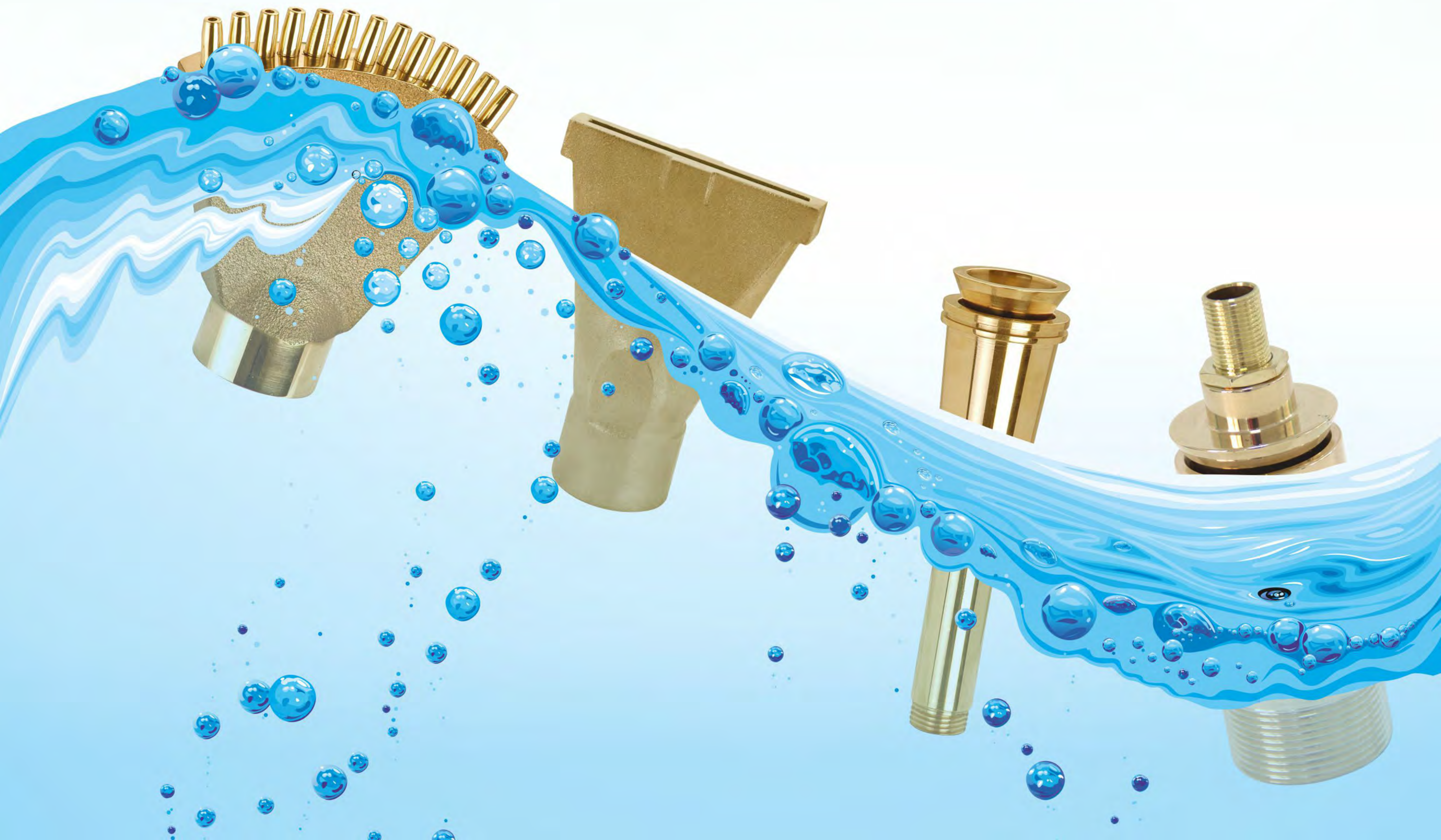
We present to you our new catalogue so that you can prepare for new ideas and innovative designs for your fountain and we extend our best wishes for you.

With latest development and new updates full range of products are accessible on our website:
www.fountainsnozzles.com

Regards,



Narendra Panchal
(Managing Director)





ABOUT US:

Aquascape is a leading manufacturer and exporter of the fountain solutions with creative and designer touch along with huge experience over three decades. With this huge experience Aquascape has spread his market worldwide.

Our robust infrastructure sprawling in a vast area and is divided in its different units as per their requirements. This range includes manufacturing unit, quality testing unit, in house designing unit, warehouse, packaging unit and allied department. Our well equipped manufacturing units which is empowered with technically advanced machines and tools that are required for the fabrication of excellent range.

Our team members have years of industrial experience in their related domain of expertise that allows us to manufacture our range as per the specifications given by our clients.

OUR VISION:

“Your Experience Our Mission”

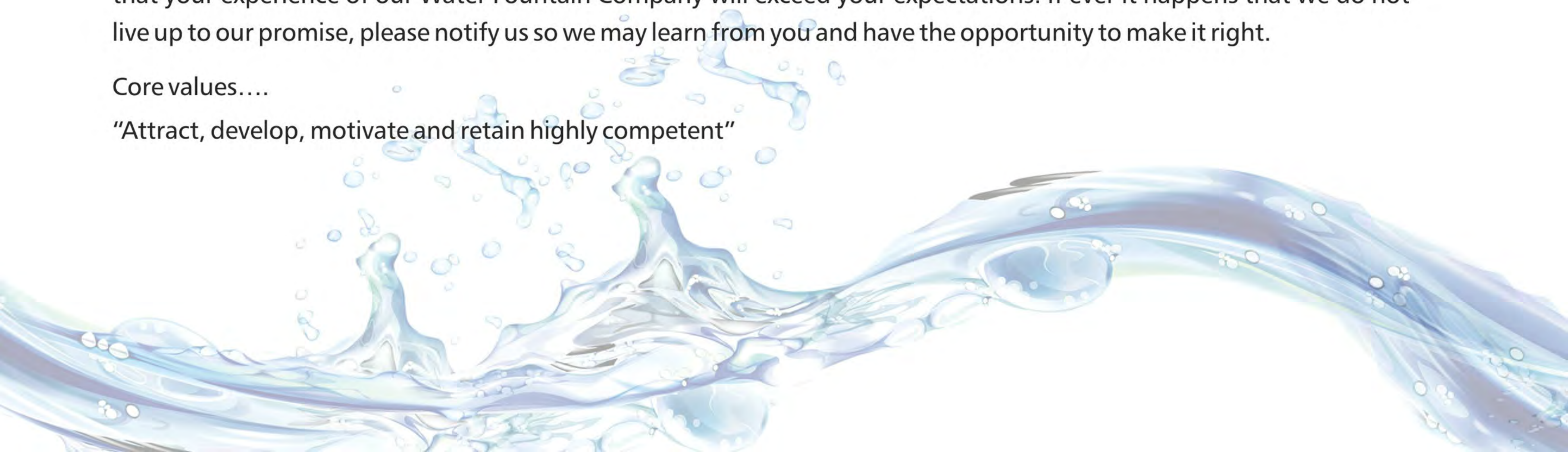
Escape from the stress of the moment as streams of water cascade downward across natural, polished river rocks. Clear your mind as nature’s original lullaby slowly melts away your tension.

The soothing sound of naturally flowing water has always provided the perfect backdrop for relaxation and concentration. Aquascape bring you these vital benefits, while their creative design adds beauty and tranquility to any environment. Transport yourself to an oasis of serenity where your own nature is rested, renewed and refreshed. Your satisfaction is Our Aim.

To create an experience for our customers and us that establishes Aquascape as the perfect brand. It is our intention that your experience of our Water Fountain Company will exceed your expectations. If ever it happens that we do not live up to our promise, please notify us so we may learn from you and have the opportunity to make it right.

Core values....

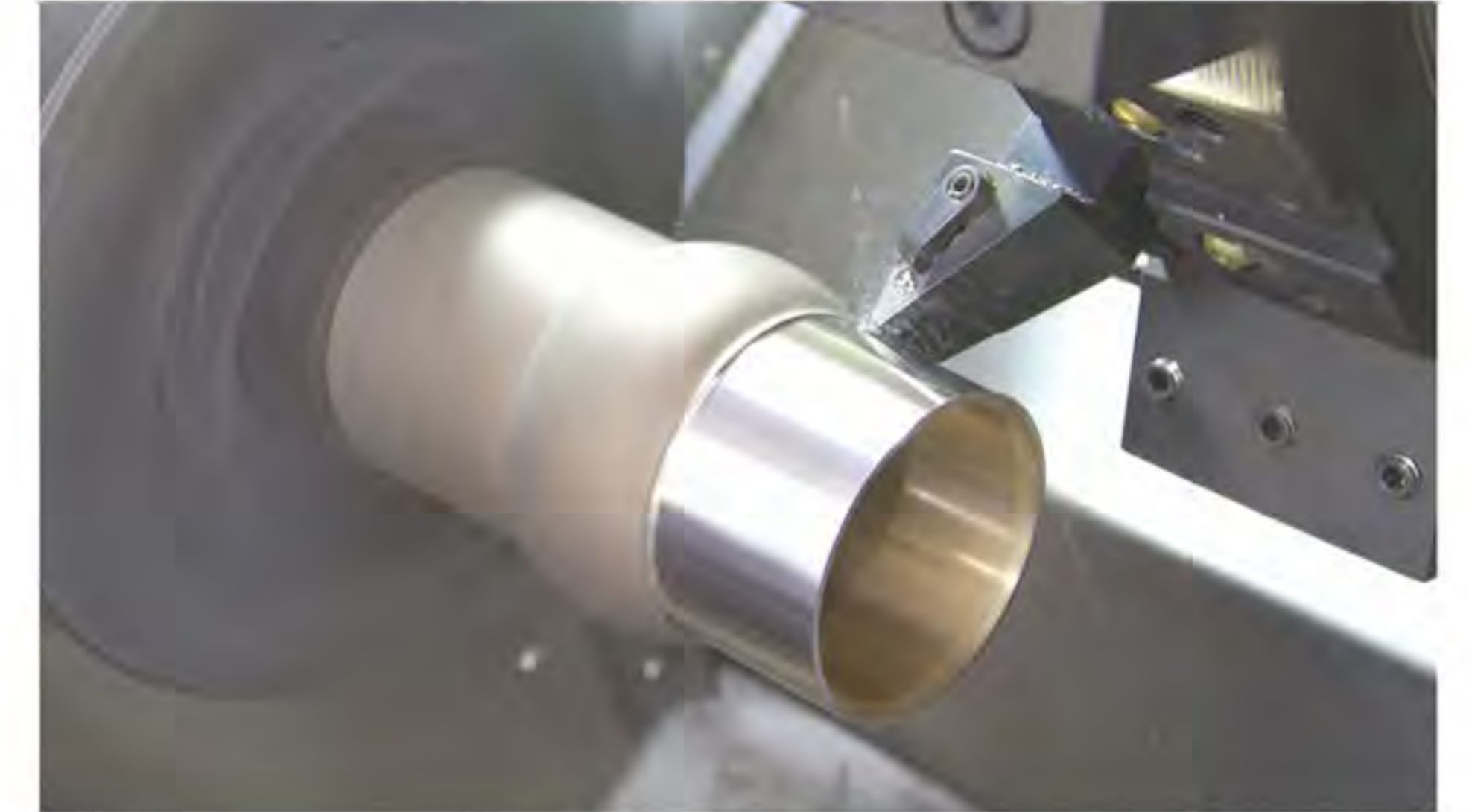
“Attract, develop, motivate and retain highly competent”





QUALITY POLICY:

We, at Aquascape, commit ourselves for designing, Manufacturing & Supplying products that would give complete satisfaction to customer. Dedication to the highest standard of material and finishing are the major objective in manufacturing. We will strive to achieve growth and leading position in the market by; supplying consistent quality products to our valued customers. Complying requirements and continually improve the effectiveness of quality management system. Creating an environment of teamwork and innovative approach.



There is strong support of the team of young generation qualified engineers to the company in manufacturing different kinds of fountains and its accessories. We have prestigious satisfied clientage who is happy using our products. We are creative people who always try to serve the best with innovative designs, advance technology, high quality and timely delivery. In this highly competitive business, we have never compromising in our quality standard.

EXPORT:

Aquascape has emerged as a World Best Quality Fountain supplier. Our product lines have expanded its global presence throughout the world.

Aquascape have its valued clientage over 40 and above countries world wide. The company has developed excellent reliable working relationships with its customers and meets a large proportion of their product requirements.

Fountain nozzles, fountain Lights, Accessories whatever the customer's requirement we meet the demand of quality, pricing and on time delivery.

Most of our standard products are in ready stock with us. So that we can fulfill our clients bulk requirement easily.



PACKAGING:

We have developed our own packaging system. All the parts are packed in thermocol (EPS) boxes which is specially designed for each part as per its shape. Due to pack in thermocol boxes parts damage chances are negligible. We have custom made corrugated cartons so at the time of dispatching all thermocol boxes are packed in corrugated box wrapped with stretch roll. What's more, our packaging is made from virgin and recyclable materials only.

SHIPPING:

Our shipping system is tailor-made. We ship cargo as per client's need. Mostly our materials moves by air but as and when required by client we also send by sea route.



CONTENTS

CLASSICAL FOUNTAIN'S NOZZLES

○ Jet Nozzles	08-11
○ Multi Jet Nozzles	12-17
○ Rotating Jet Nozzles	18-19
○ Water Film Nozzles	20-27
○ Foam Effect Nozzles	28-34
[Water level independent]	
○ Foam Effect Nozzles	36-40
[Water level dependent]	
○ Sphere Effect Nozzles	42-45
○ Spray Ring.....	46-47
○ Fog Jet	48-48

FLOATATION DEVICE

○ Floater	49-49
-----------------	-------

LAMINAR

○ Laminar Jet	50-51
---------------------	-------

DECK JET

○ Slab hanging Dry Deck Jet	52-53
-----------------------------------	-------

PROGRAMMABLE DECK JET

○ Slab hanging Waterswitches	54-55
------------------------------------	-------

FOUNTAIN ACCESSORIES

- Ball Joints
- Adjustable Flanges 56-56
- Junction Boxes
- Cord Seals 57-57

FOUNTAIN LIGHTS

- Traditional Fountain Lights 58-58
- LED Fountains Lights 59-59

DRAINS & INLETS

- Stub up
- Outlet Drain
- Inlet Fittings with Diffuser Plate 60-60
- Overflow Drain Heavy Duty
- Foot friendly Suction Drain
- Suction Drain With Fiber AV Plate 61-61
- Inlet Fittings
- Thread Sleeve Fittings
- Overflow Drain
- Drain Plug 62-62

POOL FITTINGS

- Frame & Grate
- Wall Inlet
- Vacuum Point (suction point)
- Anti vortex Frame & Plate 63-63
- Floor Return Inlet
- Floor Inlet
- Deck Box (Connection Box) 64-64



ADJUSTABLE CLEAR STREAM JETS

PF 1000 SERIES SINGLE JET NOZZLES

DESIGN/ APPLICATION DATA

Small tapered ADJUSTABLE CLEAR STREAM NOZZLES develops display with a minimum of distortion. Designed for precision use with spray ring. This nozzles are usually arranged in a group.

An internal flow straightener now comes standard for nozzles size from 3/8" to 1 1/2" inlets. This little accessories important for more solid looking water stream and more efficient use of the pump's head.

SPECIFICATION DATA

Material of construction is brass with swivels adjustable connection.



HYDRAULIC DATA

Model No.	BSP	Orifice in mm	Dimension A (mm)	Dimension B (mm)		Stream Height in Meter												
						1.0	1.5	2.0	2.5	3.0	3.5	4.0	5.0	6.0	7.0	8.0	9.0	
PF 1008	1/8"	3	43	12	LPM	1.65	2.30	2.80	3.30	3.80	4.30	4.60						
					Head in Mtr	1.25	1.85	2.45	3.10	3.70	4.30	5.00						
PF 1009	1/4"	3	50	16	LPM	1.65	2.30	2.80	3.30	3.80	4.30	4.60						
					Head in Mtr	1.25	1.85	2.45	3.10	3.70	4.30	5.00						
PF 1010	3/8"	4.75	58	19	LPM	5.60	6.50	7.50	8.30	9.20	10.00	11.00	12.30					
					Head in Mtr	1.25	1.85	2.45	3.10	3.70	4.30	5.00	6.10					
PF 1011	1/2"	6.35	88	25	LPM	11	14	16	19	21	23	25	27					
					Head in Mtr	1.25	1.85	2.45	3.10	3.70	4.30	5.00	6.10					
PF 1012	3/4"	10	108	35	LPM	21	27	31	35	38	42	47	52	58				
					Head in Mtr	1.25	1.85	2.45	3.10	3.70	4.30	5.00	6.10	7.35				
PF 1013	1"	14	114	40	LPM	44	55	65	73	81	87	94	105	116	125	134	143	
					Head in Mtr	1.25	1.85	2.45	3.10	3.70	4.30	5.00	6.10	7.35	8.55	9.80	11.00	
PF 1015	1 1/2"	19	159	57	LPM	87	110	128	144	159	170	185	206	225	245	264	280	
					Head in Mtr	1.25	1.85	2.45	3.10	3.70	4.30	5.00	6.10	7.35	8.55	9.80	11.00	

HIGH JETS

PF 1000 SERIES HIGH JET NOZZLES

DESIGN / APPLICATION DATA:

Aquascape High Jet Nozzle is special nozzle that is used to achieve greater fountain height, preferred in Floating and lake fountains. PF 1000 Series high Jet nozzle have built in Adjustable Flanges.

- Clear wind stable and full stream jet
- Independent from the water level
- For greater fountain Height

SPECIFICATION DATA:

Material of construction is Bronze with Adjustable Flanges.

OPERATING DATA:

Noise	: Moderate
Visibility	: Excellent
Splash/Mist	: Low to moderate
Wind Stability	: Good
Aeration Quality	: Good





PF 1048



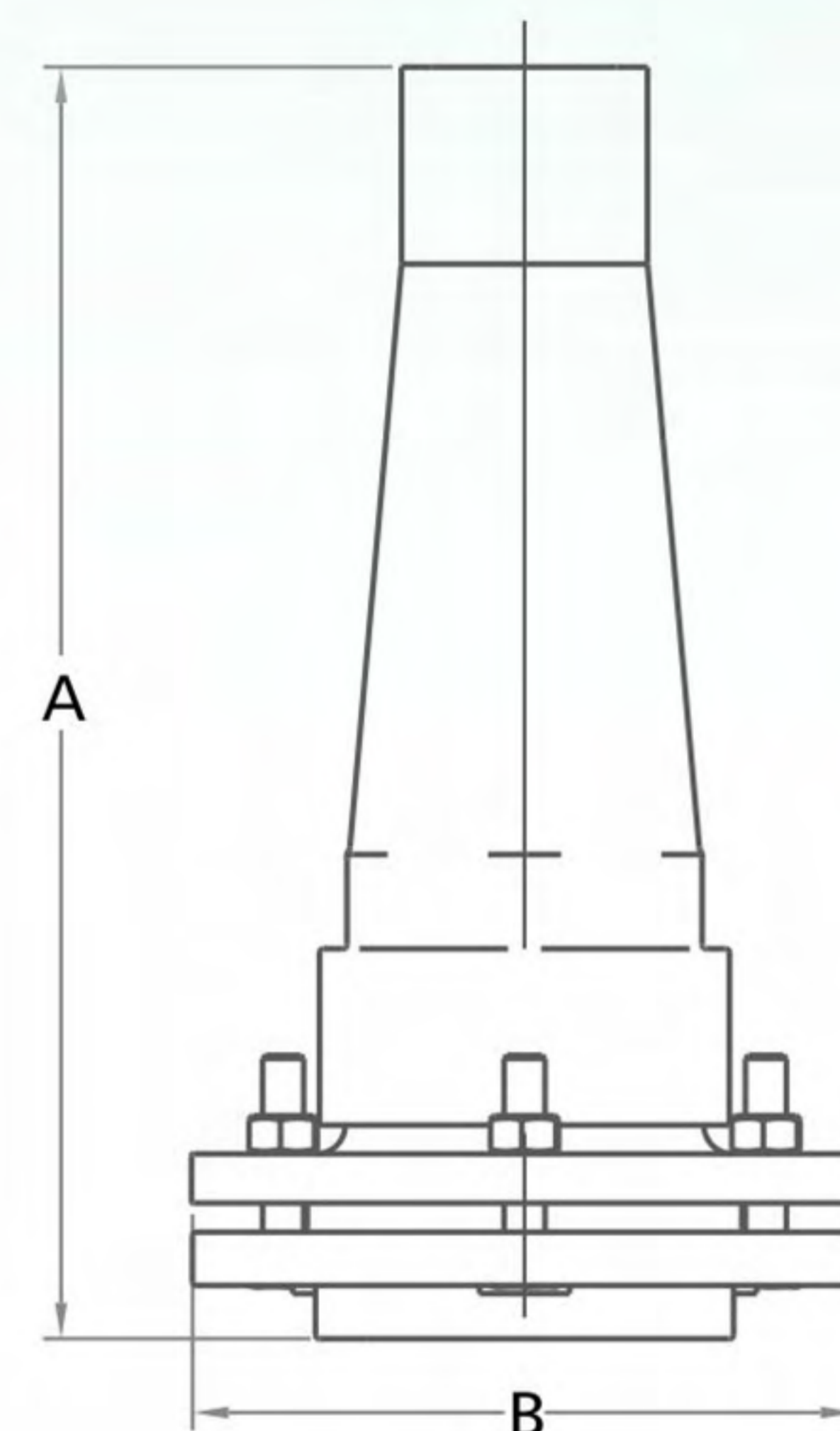
PF 1049



PF 1050



PF 1051



HYDRAULIC DATA

Model No.	BSP	Orifice in mm	Dimension A (mm)	Dimension B (mm)		Stream Height in Meter										
						2	3	4	5	6	8	10	15	20	25	30
PF 1048	1½"	19	200	101	LPM	128	159	185	206	225	264					
					Head in Mtr	2.50	3.75	4.90	6.20	7.50	9.80					
PF 1049	2"	30	253	118	LPM	270	324	397	486	540	684	792				
					Head in Mtr	2.50	3.75	4.90	6.20	7.50	9.80	12.40				
PF 1050	3"	45	315	161	LPM	550	673	871	990	1227	1483	1662	1939	2175		
					Head in Mtr	2.50	3.75	4.90	6.20	7.50	9.80	12.40	18.30	24.60		
PF 1051	4"	55	412	186	LPM	1007	1259	1547	1799	2230	2661	2985	3489	3956	4292	4855
					Head in Mtr	2.50	3.75	4.90	6.20	7.50	9.80	12.40	18.30	24.60	32.00	36.00

VULCAN FIX JETS

PF 1100 SERIES MULTI JET NOZZLES



DESIGN / APPLICATION DATA:

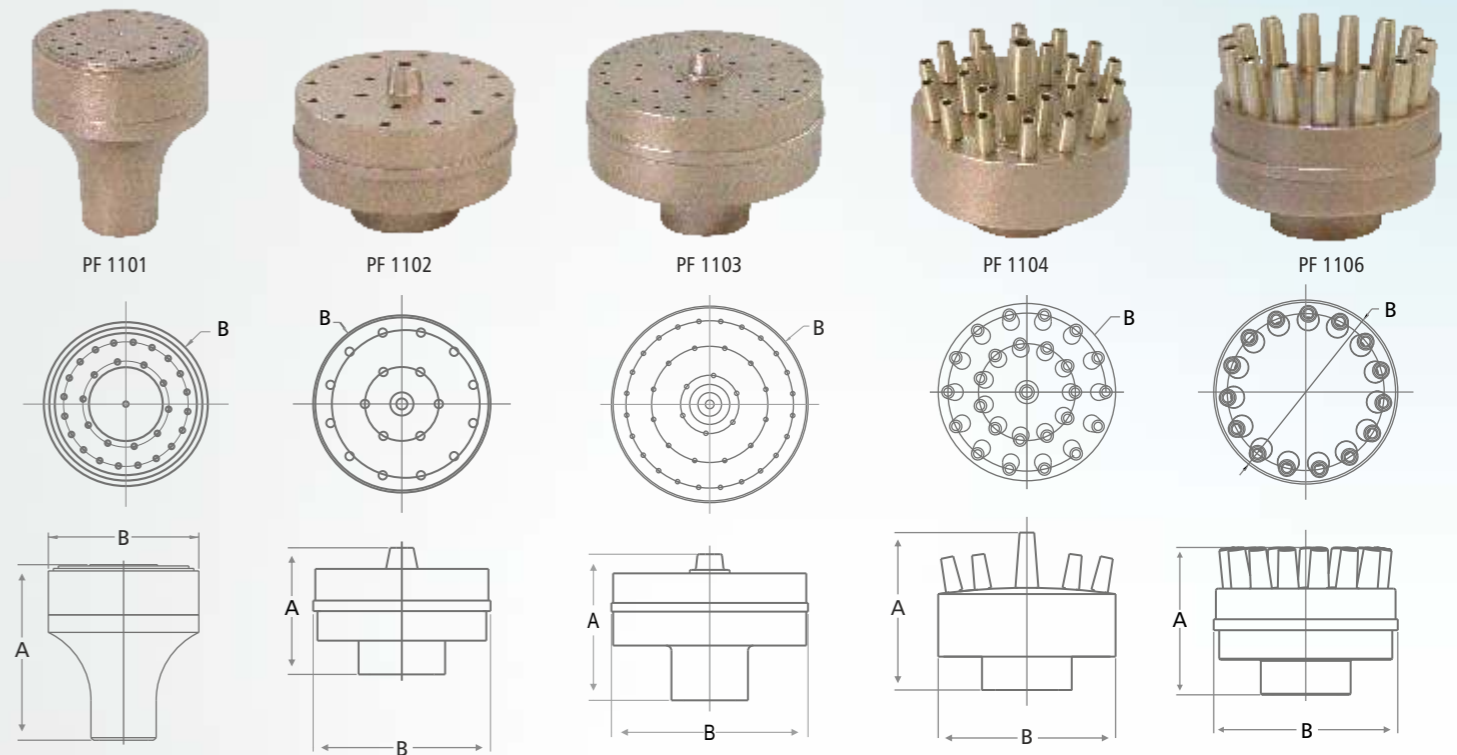
A sparkling and unique triple-tiered effect of clear streams. Ideal for small and medium sized displays. No constant water level is required.

SPECIFICATION DATA:

Material of construction is cast bronze with removable cap for easy cleaning.

OPERATING DATA:

Noise : Low
 Visibility : Moderate
 Splash/Mist : Poor
 Aeration Quality : Poor



HYDRAULIC DATA

Model No.	BSP	Nos of Jets	Dimension A (mm)	Dimension B (mm)	Orifice in mm	Stream Height in Meter									
						0.50	1.00	1.50	2.00	2.50	3.00	3.50	4.00		
PF 1101	½"	31	70	60	31@2.00	LPM	25	40	50						
						Head in Mtr	0.60	1.50	2.00						
PF 1102	1"	19	60	84	1@5.00	LPM	25	40	50	58	65	72			
					18@3.96	Head in Mtr	0.60	1.50	2.00	2.60	3.25	4.00			
PF 1103	1"	43	87	114	1@5.00	LPM		62	78	90	101	115	125	140	
					42@2.80	Head in Mtr		1.50	2.00	2.60	3.25	4.00	4.50	5.20	
PF 1104	1"	26	76	85	1@6.50	LPM		65	81	95	110	125	135	150	
					25@3.80	Head in Mtr		1.50	2.00	2.60	3.25	4.00	4.50	5.20	
PF 1106	1"	15	72	84	15@4.00	LPM		35	40	50	55	65	75	80	
						Head in Mtr		1.50	2.00	2.60	3.25	4.00	4.50	5.20	

VULCAN ADJUSTABLE JETS

PF 1100 SERIES MULTI JET NOZZLES



DESIGN / APPLICATION DATA:

A sparkling and unique triple – tiered effect of clear streams. Ideal for small and medium sized displays. No constant water level is required.

SPECIFICATION DATA:

Material of construction is brass and cast bronze with adjustable nozzles and removable cap for easy cleaning.

OPERATING DATA:

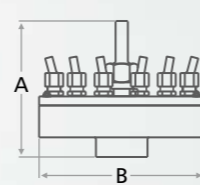
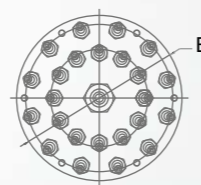
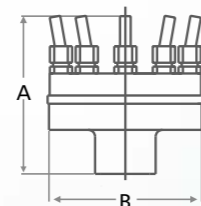
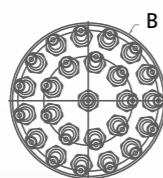
Noise : Low
 Visibility : Moderate
 Splash/Mist : Poor
 Aeration Quality : Poor



PF 1105



PF 1107



HYDRAULIC DATA

Model No.	BSP	Nos of Jets	Dimension A (mm)	Dimension B (mm)	Orifice in mm		Stream Height in Meter							
							1.00	1.50	2.00	2.50	3.00	3.50	4.00	
PF 1105	1"	25	119	114	1@4.00	LPM	70	80	95	110	121			
					24@3.00	Head in Mtr	1.50	2.00	2.60	3.25	4.00			
PF 1107	1 1/2"	25	144	202	1@10.00	LPM	100	120	135	150	165	185	190	
					24@4.75	Head in Mtr	1.50	2.00	2.60	3.25	4.00	4.50	5.20	



HEIGHT & DIA ADJUSTABLE FOUNTAIN JET

PF 1100 SERIES MULTI JET NOZZLE

DESIGN / APPLICATION DATA:

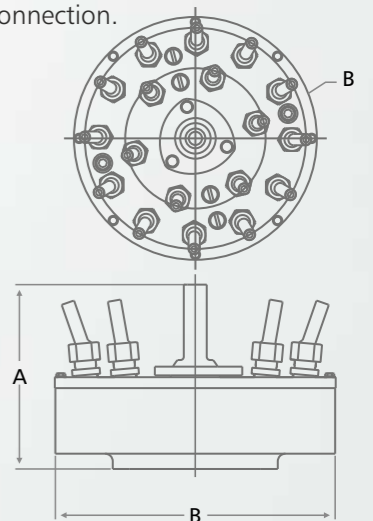
PF 1110 Nozzle is spray diameter & Height adjustable. All jets are directional adjustable. The intermediate ring of jets and the outer ring of jets are individually adjustable with flow controls located on the top of the nozzles. The nozzles are made from brass and bronze, Stainless steel fitted with Neoprene seals.

SPECIFICATION DATA:

Material of construction is machined brass and bronze. Stainless steel fitted. Female threaded connection.

OPERATING DATA:

Noise : Moderate
 Visibility : Excellent
 Splash/Mist : Low to moderate
 Wind Stability : Good
 Aeration Quality : Poor



HYDRAULIC DATA

Model No.	BSP	Nos of Jets	Dimension A (mm)	Dimension B (mm)	Orifice in mm		Spray Height in Meter							
							2	3	4	5	6	8	10	12
PF 1110	2 1/2"	19	171	257	1@ 13.50	LPM	300	360	420	480	530	640	730	830
					18@10.00	Head in Mtr	3.00	4.00	6.50	7.50	10.00	13.50	18.50	20.00



FINGER JET

PF 1100 SERIES MULTI JET NOZZLES

DESIGN / APPLICATION DATA:

Finger Jet nozzle produces a delicate, arching spray pattern using precision clear stream jets. Combined with a main swivel connection permits a wide range of spray patterns and angles. Due to the low noise and splash reduced, finger jets are ideal use in courtyard or entryway pools designed for close range viewing distance. Application includes indoor or shielded outdoor use in commercial institutional and municipal building & landscape projects as primary display features, or as peripheral accents to primary display features. They are also used effectively in series or grouped in clusters.

SPECIFICATION DATA:

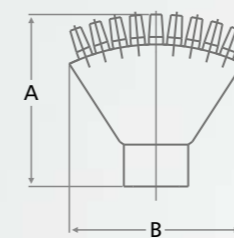
Material of construction is machined brass and bronze. Female threaded connection.

OPERATING DATA:

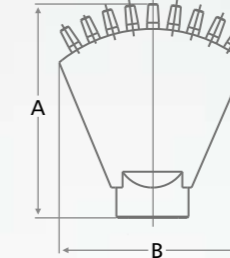
Noise : Low
 Visibility : Poor
 Splash/Mist : Low to moderate
 Wind Stability : Poor
 Aeration Quality : Poor



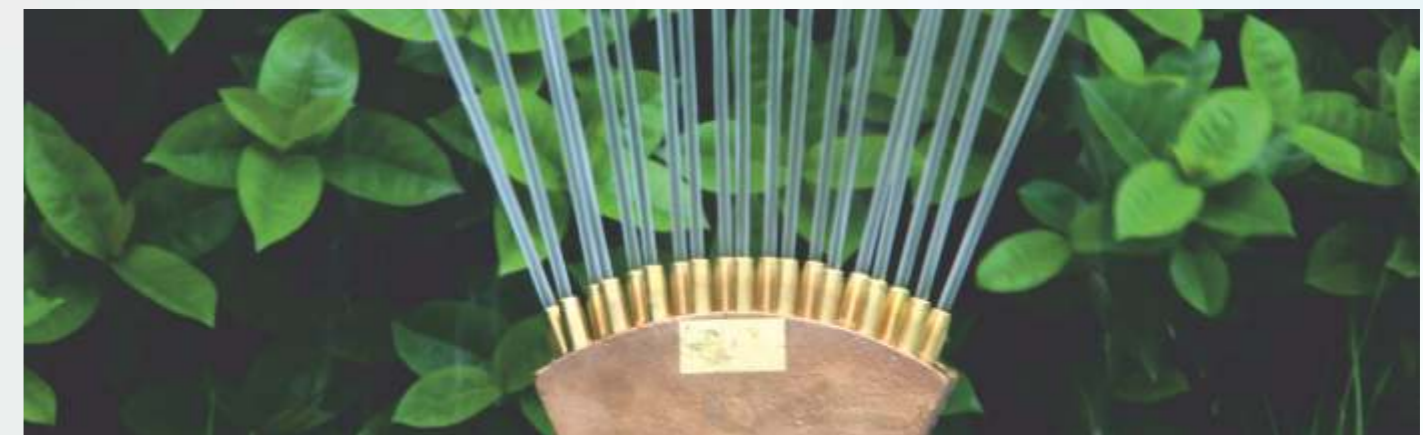
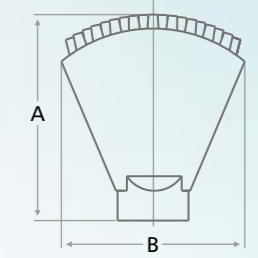
PF 1130



PF 1131SR



PF 1131DR



HYDRAULIC DATA

Model No.	BSP	Nos of Jets	Dimension A (mm)	Dimension B (mm)	Orifice in mm	Parabolic Length in Mtr	Parabolic Height in Mtr	Spread in Mtr	LPM	Head in Mtr
PF 1130	1"	9	117	117	4	1.00	0.50	1.00	48	1.22
						1.50	0.80	1.25	58	2.00
						2.00	1.30	1.50	65	2.50
PF 1131SR	1 1/2"	13	173	150	4	1.00	0.80	1.00	78	1.22
						1.50	1.30	1.25	100	2.00
						2.00	1.50	1.50	117	2.50
						2.50	1.80	1.75	122	3.00
						3.00	2.00	2.00	130	3.50
PF 1131DR	1 1/2"	19	173	150	4	1.00	0.80	1.00	114	1.22
						1.50	1.30	1.25	152	2.00
						2.00	1.50	1.50	170	2.50
						2.50	1.80	1.75	180	3.00
						3.00	2.00	2.00	190	3.50

PF 1200 SERIES ROTATING NOZZLES

DESIGN / APPLICATION DATA:

The Parrot / Peacock tail Nozzles rotating multi stream clear jet in animated swirling, spinning effect. Rotation is done without mechanical devices via water output from six-angled nozzle that turn with the vertical seventh center nozzle. Rotation, Speed and display size are adjustable with the water control valve. The Parrot / Peacock tail offers an impressive dancing display with minimal water requirement.

SPECIFICATION DATA:

Material of construction is brass and bronze.

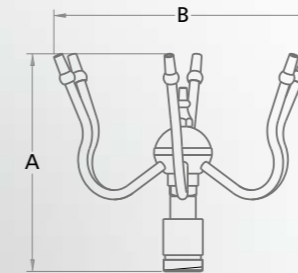
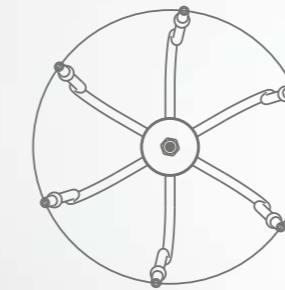
- The Parrot / Peacock tail Nozzles are BSP (M) threads.
- The Parrot / Peacock tail Nozzles may cause injury due to their configuration do they should not be mounted in swimming pools.
- The Parrot / Peacock tail Nozzles are water level independent and can be located in dry areas.

OPERATING DATA:

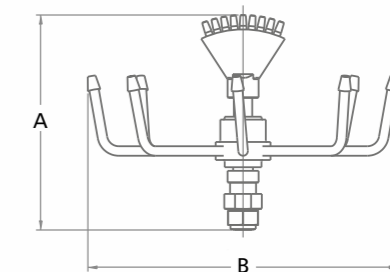
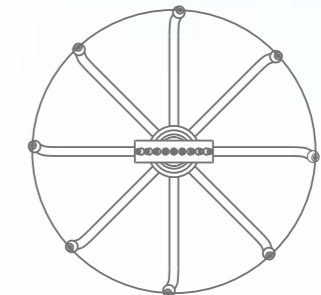
Noise	: Low
Visibility	: Poor
Splash/Mist	: Low to moderate
Wind Stability	: Poor
Aeration Quality	: Poor



PF 1201 (Parrot)



PF 1202 (Peacock tail)



HYDRAULIC DATA

Model No.	BSP	Dimension A (mm)	Dimension B (mm)	Display height in Mtr.	LPM	Head in Mtr.
PF 1201	1"	210	175	1.00	22	1
				1.25	26	2
				1.50	30	3
				1.75	34	4
				2.00	38	5
				2.50	42	6
PF 1202	1 1/4"	305	465	2.50	120	3
				3.00	132	4
				3.50	150	5
				4.00	165	6

BELL

PF 1300 SERIES WATER FILM NOZZLES

DESIGN / APPLICATION DATA:

A clear of water in the shade of a bell. Minimum sound or splash. For silence wind free locations in small and medium sized displays. Ideal in grouping of various heights. No constant water level required. Water supply must be non troubled.

SPECIFICATION DATA:

Material of construction is brass with adjustable top.

Note : (for Optimum Effects)

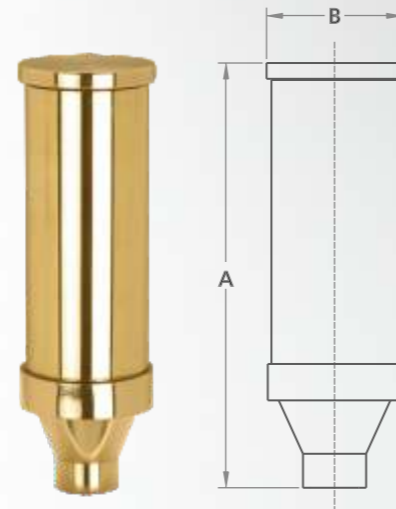
- Requires non-turbulent water supply.
- Requires fine screening at pump.
- Ideal for indoor fountain use.

OPERATING DATA:

Sound level : Good
 Visibility : Good
 Splash : Low
 Wind Stability : Poor
 Aeration Quality : Poor

HYDRAULIC DATA

Model No.	BSP	Dimension A (mm)	Dimension B (mm)		Spray diameter in cm			
					15	30	45	60
PF 1301	½"	179	56	LPM	16	24		
				Head in Meter	0.70	1.00		
PF 1302	1"	360	56	LPM	16	24	30	34
				Head in Meter	0.70	1.00	1.30	1.60



CALYX

PF-1300 SERIES WATER FILM NOZZLE

DESIGN / APPLICATION DATA:

A clear pulsating sheet of water in a mushroom form when operated in a full sheet pattern there is very little shape or splash, ideal for both silent and windy locations. Preferred for floating or lake fountain.

SPECIFICATION DATA:

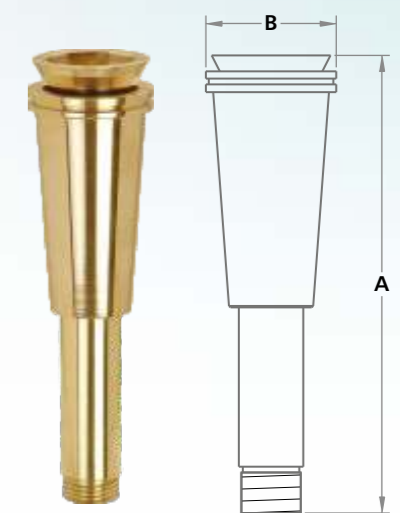
- Material of construction is cast bronze and brass with adjustable top cone.
- Bottom of nozzle must be installed at water level.
- Water supply must be non-trouble.

OPERATING DATA:

Noise : Good
 Visibility : Excellent
 Splash/Mist : Excellent
 Wind Stability : Poor
 Aeration Quality : Moderate

HYDRAULIC DATA

Model No.	BSP	Dimension A (mm)	Dimension B (mm)		Spray Height in cm		
					15	30	45
PF 1303	½"	162	45	LPM	16	22	26
				Spread in cm.	10	20	30
				Head in Mtr.	0.30	0.45	0.75





WATER LILY

PF 1300 SERIES WATER FILM NOZZLE

DESIGN / APPLICATION DATA:

A study in contrasting waterborne art Water lily nozzle produces an eye-catching display that's both light and delicate. A miniature version of our Crystal Arch nozzle, the water lily combines that lofty, single tier arching pattern with a lower bell shape feature similar to the Tulip, with a compact, sheeting fall.

The water lily exhibits excellent prismatic light reflecting prosperities, thanks to the multi-channeled nozzles individual water trajectories that expand to form liquid crystalline drops many times larger than the original clear streams. This nozzle is at its best when illuminated at night with adequate perimeter light placement.

SPECIFICATION DATA:

Material of construction is bronze

- Excellent pattern stability even in moderate wind conditions.
- Water lily is water level independent and can be located in dry areas.
- Water lily with a BSP (F) threaded connection.

OPERATING DATA:

Noise : Good
 Visibility : Excellent
 Splash/ Mist : Low to medium
 Wind Stability : Good
 Aeration Quality : Moderate

HYDRAULIC DATA

Model No.	BSP	Dimension A (mm)	Dimension B (mm)		Spray Height in Meter			
					0.25	0.50	0.75	1.00
PF 1308	1"	192	85	LPM	64	75	83	90
				Head in Mtr.	1.00	1.50	1.75	2.00
				Dia of Cone	0.25	0.50	0.75	1.00



PF 1300 SERIES WATER FALL SPOUT

DESIGN / APPLICATION DATA:

A curtain of water tumbling down to form a waterfall can have varying widths and heights. As the thickness of the water film depends on these two factors. So will the quantity of water that the pump is required to circulate. Water is pumped by a concealed unit from a lower basin, through one or more pressure lines, into a trough with a shaped overflow, the width and height of which determine the pattern of the waterfall. Most arrangements require an adjustable lip at the beginning of the overflow and a "weir" edge on the other side. With wide waterfalls, the lip should be adjusted perfectly level to prevent the water film from breaking up. It is also important that leaves and dirt do not collect on either the "fall-away" or lip,

IMPORTANT:

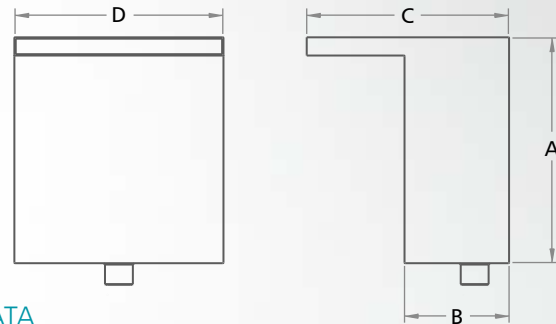
- Lip and weir edge should be kept clean.
- Avoid sitting under trees (leaves and twigs).
- Try to protect from wind.
- Ensure pump is correctly sized.

SPECIFICATION DATA:

Material of construction is stainless steel

OPERATING DATA:

Noise : Good
 Visibility : Good
 Splash/Mist : Poor
 Wind Stability : Poor
 Aeration Quality : Poor



HYDRAULIC DATA

Model No.	Fall Width D (mm)	BSP	Dimension A (mm)	Dimension B (mm)	Dimension C (mm)	LPM
WFS300	300	1"	178	152	229	60
WFS 450	450	1 ½"	254	229	356	90
WFS 600	600	1 ½"	254	229	356	120
WFS 750	750	2"	254	229	356	150
WFS 900	900	2"	254	229	356	180
WFS 1050	1050	2"	254	229	356	210
WFS 1200	1200	2 ½"	254	229	356	240
WFS 1350	1350	2 ½"	254	229	356	270



FAN JET

PF 1300 SERIES WATER FILM NOZZLES



DESIGN / APPLICATION DATA:

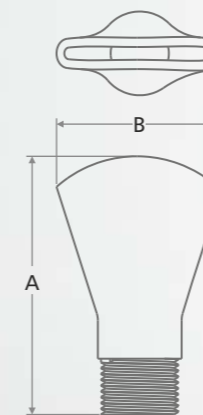
Aquascape Fan Jet creates a particularly compact, fan shaped water stream with a thickness of 6 mm. This type nozzle is especially attractive when arranged in a group around a center nozzle but even on its own this jet will always find its place in any arrangement.

SPECIFICATION DATA:

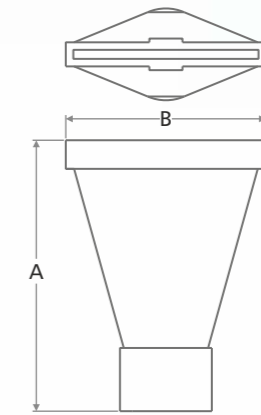
Material of construction is cast bronze with thread connection.

OPERATING DATA:

- Noise : Good
- Visibility : Excellent
- Splash/Mist : Low to moderate
- Wind Stability : Excellent
- Aeration Quality : Poor



PF 1317



PF 1318

HYDRAULIC DATA

Model No.	BSP	Dimension A (mm)	Dimension B (mm)	Spray Angle		Spray height in Meter					
						0.50	0.75	1.00	1.50	2.00	3.00
PF 1317	1"	114	72	45°	LPM	96	118	135	170		
					Head in Mtr	0.75	1.10	1.50	2.25		
PF 1318	1½"	116	132	45°	LPM	102	110	126	180	260	281
					Head in Mtr	0.75	1.10	1.50	2.25	3.00	4.50
				Vertical	LPM	180	210	252	350	420	570
					Head in Mtr	0.75	1.10	1.50	2.25	3.00	4.50



TULIP JET

PF 1300 SERIES WATER FILM NOZZLES

DESIGN / APPLICATION DATA:

A clear pulsating sheet of water in a mushroom form when operated in a full sheet pattern there is very little shape or splash. Ideal for both silent and windy locations. Preferred for floating or lake fountain.

SPECIFICATION DATA:

Material of construction is cast bronze and brass with adjustable top cone.

- Bottom of nozzle must be installed at water level.
- Water supply must be non-trouble.

OPERATING DATA:

Noise : Good
 Visibility : Excellent
 Splash/Mist : Excellent
 Wind Stability : Moderate
 Aeration Quality : Moderate



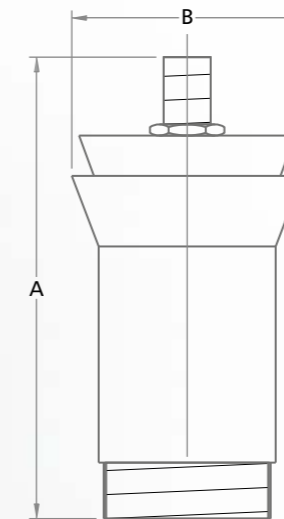
PF 1332



PF 1333



PF 1334



HYDRAULIC DATA

Model No.	BSP	Dimension A (mm)	Dimension B (mm)		Spray height in Meter				
					0.50	1.00	2.00	3.00	4.00
PF 1332	1.½"	141	47	LPM	50	80			
				Spread dia in Mtr.	0.25	0.50			
				Head in Mtr.	0.75	1.50			
PF 1333	2.½"	207	102	LPM		200	300	400	
				Spread dia in Mtr.		1	2	3	
				Head in Mtr.		1.50	3.00	4.50	
PF 1334	3"	236	139	LPM		300	400	500	600
				Spread dia in Mtr.		1.50	2.50	4.00	5.00
				Head in Mtr.		1.50	3.00	4.50	7.00

FOAM JETS

PF 3400 SERIES FOAM EFFECT NOZZLES

DESIGN / APPLICATION DATA:

A column of frothy, aerated water, recommended for small and medium display. Jet has low profile and neat appearance. No constant water level is required. Fountain installations with a lower water deserver, this nozzle type has a wide field of application.

SPECIFICATION DATA:

Material of construction is cast bronze and brass with internal air/water ration adjustment. Exterior is of Bronze.

OPERATING DATA:

- Noise : Moderate
- Visibility : Excellent
- Splash/Mist : Low
- Wind Stability : Good
- Aeration Quality : Good



HYDRAULIC DATA

Model No.	BSP	Orifice in mm	Dimension A (mm)	Dimension B (mm)		Spray Height in Meter											
						0.50	1.00	1.50	2.00	2.50	3.00	3.50	4.00	4.50	5.00		
PF 3401	1/2"	23	99	39	LPM	40	60										
					Head in Mtr	0.75	1.50										
PF 3402	1"	35	142	62	LPM	55	80	97	111	123							
					Head in Mtr	0.75	1.50	2.25	3.00	3.75							
PF 3403	1"	40	158	65	LPM	60	95	125	140	160	185						
					Head in Mtr	0.75	1.50	2.25	3.00	3.75	4.50						
PF 3409	1"	50	155	71	LPM	70	100	135	150	170	195						
					Head in Mtr	0.75	1.50	2.25	3.00	3.75	4.50						
PF 3410	1 1/2"	50	180	82	LPM	125	176	217	252	282	310	335	360	381	402		
					Head in Mtr	0.75	1.50	2.25	3.00	3.75	4.50	5.25	6.00	6.75	7.50		
PF 3412	2"	70	250	121	LPM		230	270	315	347	385	400	440	450	485		
					Head in Mtr		1.50	2.25	3.00	3.75	4.50	5.25	6.00	6.75	7.50		

FOAM JETS

PF 3400 SERIES FOAM EFFECT NOZZLES

MADE FROM STAINLESS STEEL 316



DESIGN / APPLICATION DATA:

A column of frothy, aerated water, recommended for small and medium displays in shallow pools. Beautiful when lighted. Jet has low profile and neat appearance. No constant water level is required.

SPECIFICATION DATA:

Material of construction is Stainless steel and brass with internal air/water ration adjustment. Exterior is Stainless steel

OPERATING DATA:

Noise : Moderate
 Visibility : Excellent
 Splash/Mist : Low
 Wind Stability : Good
 Aeration Quality : Good



PF 3402S

PF 3410S

HYDRAULIC DATA

Model No.	BSP	Orifice in mm	Dimension A (mm)	Dimension B (mm)		Spray Height in Meter									
						0.50	1.00	1.50	2.00	2.50	3.00	3.50	4.00	4.50	5.00
PF 3402S	1"	35	145	60	LPM	55	80	97	111	123					
					Head in Mtr.	0.75	1.50	2.25	3.00	3.75					
PF 3410S	1 1/2"	50	190	82	LPM	125	176	217	252	282	310	335	360	381	402
					Head in Mtr.	0.75	1.50	2.25	3.00	3.75	4.50	5.25	6.00	6.75	7.50



FOAM JETS

PF 3400 SERIES FOAM EFFECT NOZZLES

MADE FROM STAINLESS STEEL 316, BRASS & ABS PLASTIC COMPOSED

DESIGN / APPLICATION DATA:

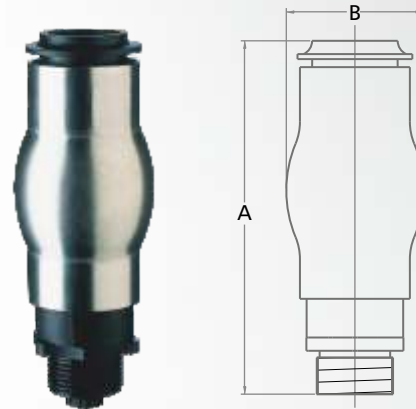
A column of frothy, aerated water, recommended for small and medium displays in shallow pools. Beautiful when lighted. Jet has low profile and neat appearance. No constant water level is required.

SPECIFICATION DATA:

Material of construction is Stainless steel 316, brass & ABS plastic composed.

OPERATING DATA:

Noise : Moderate
 Visibility : Excellent
 Splash/Mist : Low to Moderate
 Wind Stability : Good
 Aeration Quality : Good



HYDRAULIC DATA

Model No.	BSP	Orifice in mm	Dimension A (mm)	Dimension B (mm)	Spray Height in Meter									
					0.25	0.50	0.75	1.00	1.25	1.50	1.75	2.00	2.50	
PF 3402SS/P	1"	32	153	60	LPM	47	55	71	80	89	97	104	111	123
					Head in Mtr	1.00	1.30	2.10	2.70	3.30	3.90	4.60	5.20	6.40



AERATED JETS

PF 3400CB SERIES FOAM EFFECT NOZZLES



DESIGN / APPLICATION DATA:

Aquascape PF 3400 series Aerating Jets are made from cast bronze, brass and Stainless steel. The unique water level independent and Flow Adjustable Aerating Jets are for installation above water level the complete Jet has to be above water level.

SPECIFICATION DATA:

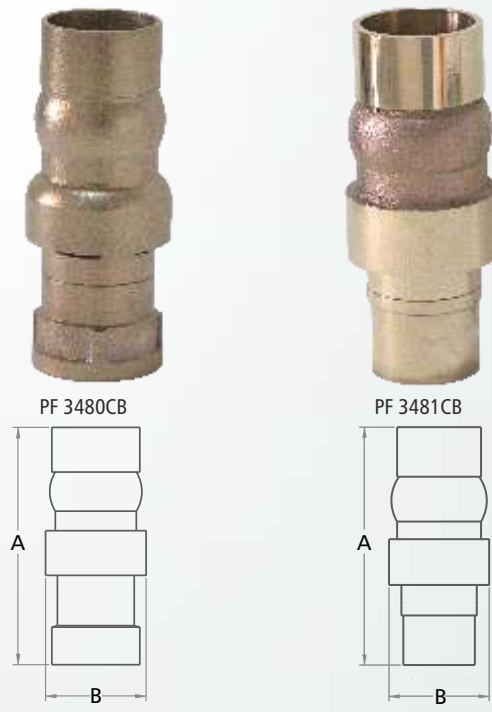
Material of construction is cast bronze and brass with internal air/water ratio adjustment.

OPERATING DATA:

- Noise : Good
- Visibility : Excellent
- Splash/Mist : Low to Moderate
- Wind Stability : Excellent
- Aeration Quality : Excellent

HYDRAULIC DATA

Model No.	BSP	Orifice in mm	Dimension A (mm)	Dimension B (mm)		Spray Height in Meter									
						0.50	1.00	1.50	2.00	2.50	3.00	3.50	4.00	5.00	6.00
PF 3480CB	1½"	51	171	70	LPM	90	110	130	148	165	187	200	235		
					Head in Mtr.	1.10	2.20	3.00	4.00	5.10	6.00	7.25	8.00		
PF 3481CB	2"	76	248	105	LPM		200	270	310	350	385	400	450	490	530
					Head in Mtr.		2.20	3.00	4.00	5.10	6.00	7.25	8.00	10.00	12.00





JET CLUSTER

PF 3400 SERIES FOAM EFFECT NOZZLES

DESIGN / APPLICATION DATA:

Jet Cluster nozzles produces a vertical columns of water using connection rows of clear stream jet giving the appearance of a large diameter water columns. Due to the refractive quality of the individual streams, jet cluster nozzles offer good visibility at the long range viewing distance.

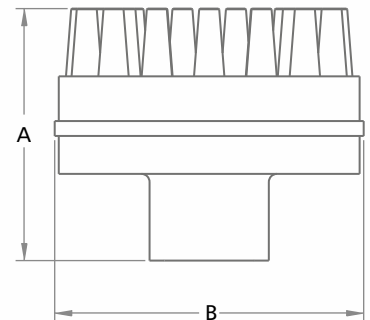
Nozzle is further enhanced when combined with submersible lighting. Applications include indoor or shielded outdoor use in commercial, institutional, municipal building and landscape projects, as a primary display features, or as peripheral accents to primary display features they are also used effectively in series or grouped in clusters.

SPECIFICATION DATA:

Material of construction is machined brass and bronze.
Female threaded connection.

OPERATING DATA:

Noise : Low to Moderate
 Visibility : Good
 Splash/Mist : Low to Moderate
 Wind Stability : Good
 Aeration Quality : Good



HYDRAULIC DATA

Model No.	BSP	Orifice in mm	Nos. of Jets	Dimension A (mm)	Dimension B (mm)		Stream Height in Meter					
							0.50	1.00	1.50	2.00	2.50	3.00
PF 3490	1"	4	30	98	113	LPM	66	102	132	159	183	210
						Head in Mtr	1.00	2.00	2.75	3.50	4.00	5.00
PF 3492	2"	4	45	103	202	LPM	110	170	220	265	305	345
						Head in Mtr	1.00	2.00	2.75	3.50	4.00	5.00

AERATED JETS

PF 4000 SERIES FOAM EFFECT NOZZLES

DESIGN / APPLICATION DATA:

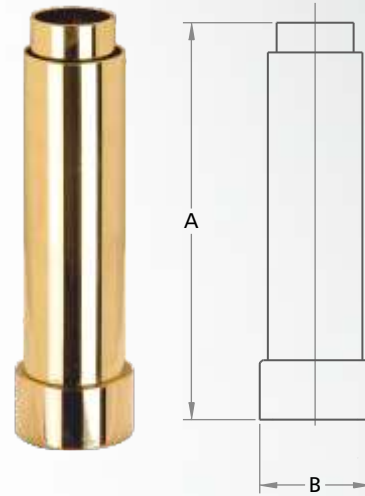
Aquascape Aerated Jet Nozzles are injection Nozzles that are independent on the water level. Because of the injection effect the surrounding air is sucked in, intensively mixed and thrown high into the air by the injector jet Aerating. Jet Nozzles are designed to produce columns of highly aerated water with a frothy effect.

SPECIFICATION DATA:

Material of construction is brass pipe with cast bronze inlet.

OPERATING DATA:

Noise : Moderate
 Visibility : Excellent
 Splash/Mist : Low to Moderate
 Wind Stability : Good
 Aeration Quality : Good



HYDRAULIC DATA

Model No.	BSP	Orifice in mm	Dimension A (mm)	Dimension B (mm)		Spray Height in Meter					
						1.00	1.50	2.00	3.00	4.00	5.00
PF 4001	1"	25	148	40	LPM	40	48	53			
					Head in Mtr.	4.40	5.80	7.40			
PF 4001 A	1 ¼"	32	180	51	LPM	60	70	80			
					Head in Mtr.	4.40	5.80	7.40			
PF 4002	1 ½"	40	205	57	LPM	90	110	120	140		
					Head in Mtr.	4.40	5.80	7.40	11.00		
PF 4003	2"	50	229	80	LPM	110	130	155	200	250	275
					Head in Mtr.	4.40	5.80	7.40	11.00	13.50	16.00





Aquascape™

Aquascape Engineers Pvt. Ltd.



AERATING JETS

PF 3400BP SERIES FOAM EFFECT NOZZLE

WATER LEVEL DEPENDENT

DESIGN/APPLICATION DATA:

Aerating Jet nozzles are designed to produce columns of highly aerated water with frothy effect. High light reflection characteristic of scream is ideal for lighted fountain. The aerating jets are made of cast bronze and brass stock, machined to close tolerance. The inner nozzle has an internal tapered bore. Water and air suction ratio can be adjusted in this nozzle due to special design.

SPECIFICATION DATA:

Material of construction is cast bronze with brass pipe.

OPERATING DATA:

Noise : Good
 Visibility : Excellent
 Splash/Mist : Good
 Wind Stability : Good
 Aeration Quality : Excellent



HYDRAULIC DATA

Model No.	BSP	Stream OD in mm	Dimension A (mm)	Dimension B (mm)	Water Level in mm		Spray Height in Meter									
							1	2	3	4	5	8	10	15	20	30
PF 3420BP	1"	25	252	98	40	LPM	30	38	45	50	56					
						Head in Mtr	4	7	10	14	18					
PF 3421BP	1½"	38	340	116	50	LPM	42	55	75	90	105	130				
						Head in Mtr	4	7	10	14	18	20				
PF 3422BP	2"	50	405	136	50	LPM	90	118	145	170	190	225	260			
						Head in Mtr	4	7	10	14	18	20	22			
PF 3423BP	2½"	63	460	155	75	LPM		200	260	320	350	460	530	650		
						Head in Mtr		7	10	14	18	20	22	28		
PF 3424BP	3"	76	530	180	75	LPM		320	380	415	470	580	630	780	900	1050
						Head in Mtr		7	10	14	18	20	22	28	32	38

CASCADE JET

PF 3400 SERIES FOAM EFFECT NOZZLE

WATER LEVEL DEPENDENT



DESIGN / APPLICATION DATA:

The Cascade nozzles produce a graceful conical shaped while display. The water level dependent aerated display is suitable for clam to light wind conditions. Exhibits excellent light reflecting properties. Because of the injection effect, the surrounding water and air are sucked in, intensively mixed and thrown high in to the air by the injector jet. However the water pattern changes with varying water levels, when below the standard water level the jet is thinner but also higher , when above it is fuller but also lower, when the waves become stronger the fountains begin to dance. Often seen as a very interesting special effect.

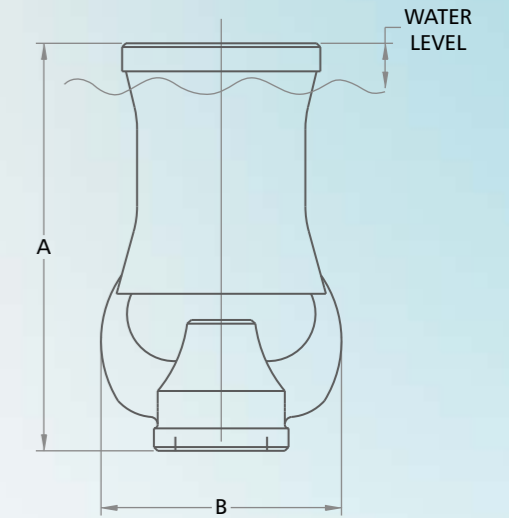
Note: Return valve must be provided in installations with different water levels, otherwise when switching off the water level since to the injection height.

SPECIFICATION DATA:

Material of construction is machined cast bronze natural finish.

OPERATING DATA:

Noise : Good
 Visibility : Very Good
 Splash/Mist : Moderate
 Wind Stability : Excellent
 Aeration Quality : Excellent



HYDRAULIC DATA

Model No.	BSP	Dimension A (mm)	Dimension B (mm)	Water level in mm		Spray Height in Meter														
						0.50	1.00	1.50	2.00	3.00	4.00	5.00	6.00	8.00	10.00	12.00				
PF 3448	½"	109	54	15	LPM	34	46													
					Head in Mtr.	2.20	3.00													
PF 3449	¾"	135	56	15	LPM	60	76	90												
					Head in Mtr.	2.20	3.00	4.50												
PF 3450	1"	157	62	15	LPM	85	100	118	131	155										
					Head in Mtr.	2.20	3.00	4.50	6.50	8.00										
PF 3451	1½"	224	88	15	LPM	93	119	140	160	215	245	285								
					Head in Mtr.	2.20	3.00	4.50	6.50	8.00	12.00	15.00								
PF 3452	2"	275	113	15	LPM				200	292	320	380	425	475	500					
					Head in Mtr.				3.00	4.50	6.50	8.00	12.00	15.00	18.00					
PF 3453	3"	370	150	15	LPM							500	575	650	750	850	950	1150	1400	1600
					Head in Mtr.							4.50	6.50	8.00	12.00	15.00	18.00	24.00	30.00	35.00



FOAM GEYSER JETS

PF 3400 SERIES FOAM EFFECT NOZZLE

WATER LEVEL DEPENDENT



DESIGN/APPLICATION DATA:

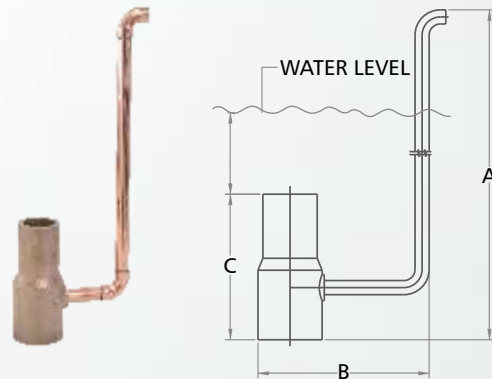
Aquascape Foam Geyser Nozzles are designed to provide in their lowest spray heights white mounds of water. While at greater spray height, to provide highly visible fluffy white spray effect.

SPECIFICATION DATA:

Material of construction is cast bronze with copper pipe

OPERATING DATA:

- Noise : Good
- Visibility : Excellent
- Splash/Mist : Low to Moderate
- Wind Stability : Excellent
- Aeration Quality : Excellent



HYDRAULIC DATA

Model No.	BSP	Orifice in mm	Dimension A (mm)	Dimension B (mm)	Dimension C (mm)	Water level in mm	Spray Height in Meter											
							0.50	1.00	1.50	2.00	2.50	3.00	4.00	5.00	6.00			
PF 3461	1 1/4"	32	349	157	119	75	LPM	99	125	150	175	190	200					
							Head in Mtr	2.50	4.50	6.80	8.00	9.00	10.00					
PF 3462	1 1/2"	38	377	174	138	75	LPM	133	175	210	235	260	285	340				
							Head in Mtr	2.50	4.50	6.80	8.00	9.00	10.00	12.00				
PF 3463	2"	51	428	195	176	75	LPM	216	262	305	340	375	390	440	500	575		
							Head in Mtr	2.50	4.50	6.80	8.00	9.00	10.00	12.00	13.00	14.00		





AquascapeTM

Aquascape Engineers Pvt. Ltd.





DANDELION (SPHERE)

PF 6400 SERIES SPHERE EFFECT NOZZLE

DESIGN / APPLICATION DATA:

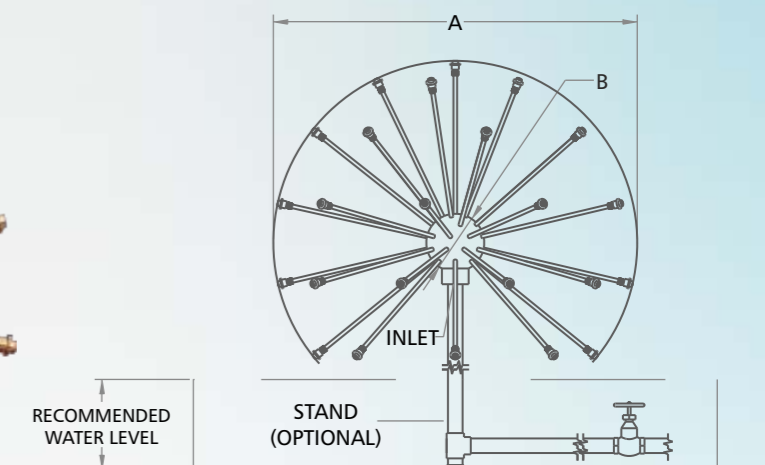
The Dandelion Sphere effect is created by multiple discs of water at the radiating from a center manifold. These effects produce a fine spray that results evaporation cooling in the area of the effect. When not in use as a water feature, the dandelion sphere appears sculpture ideal for mall and garden area.

SPECIFICATION DATA:

Material of construction is cast bronze and precision machined brass
Nozzles are easily cleaned individually adjustable (for water thickness) and removable.

OPERATING DATA:

Noise : Good
 Visibility : Excellent
 Splash/Mist : Excellent
 Wind Stability : Poor
 Aeration Quality : Good



HYDRAULIC DATA

Model No.	BSP	Dimension A in Mtr.	Dimension B Hub Dia in mm	Nos of Arms	LPM	Head in Meter
PF 6441	2.½"	1.00	200	40	450	5.00
PF 6443	2.½"	1.20	200	40	500	5.00
PF 6445	4"	2.00	250	110	1500	7.00



DANDELION (HEMISPHERE)

PF 6400 SERIES SPHERE EFFECT NOZZLES

DESIGN / APPLICATION DATA:

The Dandelion Hemisphere effect is created by multiple discs of water at the radiating from a center manifold. These effects produce a fine spray that results evaporation cooling in the area of the effect. When not in use as a water feature, the dandelion hemisphere appears sculpture ideal for mall and garden area.

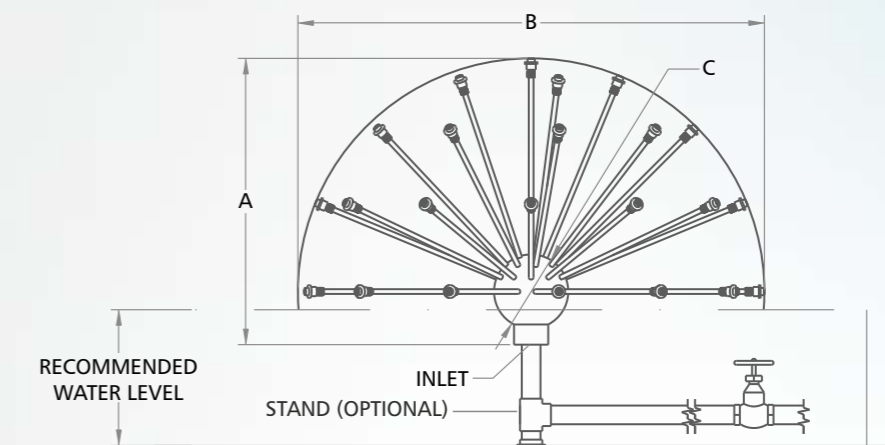
SPECIFICATION DATA:

Material of construction is cast bronze and precision machined brass

Nozzles are easily cleaned individually adjustable (for water thickness) and removable.

OPERATING DATA:

Noise : Good
 Visibility : Excellent
 Splash/Mist : Excellent
 Wind Stability : Poor
 Aeration Quality : Good



HYDRAULIC DATA

Model No.	BSP	Dimension A in mm	Dimension B Sphere O.D. in Mtr.	Dimension C Hub Dia in mm	Nos of Arms	LPM	Head in Meter
PF 6442	2½"	640	1.00	200	40	450	5.00
PF 6444	2½"	790	1.20	200	40	450	5.00
PF 6446	4"	1095	2.00	250	70	770	7.00





PF 9000 SERIES SPRAY RINGS

DESIGN / APPLICATION DATA:

The Spray Ring fountains offer a variety of effects depending on nozzle selection, quantity of nozzles, spray height and angle of throw desired.

Spray rings are constructed of stainless steel in a variety of diameter and orifice sizes. Adjustable brass smooth stream nozzles develop uniform circular spray pattern.

Lighting: Lighting for night time viewing of the Spray Ring fountain is very effective, typically because of the close proximity of nozzle spacing on the ring. Quantities and wattage of lights will be greatly dependent on nozzle selection and spacing.

Noise: Because of the quantity of nozzles, the standard Spray Ring fountain produces a pleasant and consistent background noise for ponds ranging from small to large. Again, nozzle type and quantity selection will determine the audible levels of the fountain. When making a nozzle selection for the spray ring, our technical assistant will help you to determine the best fit for your particular lake or pond taking in to account size of pond, water quality, lighting effects and general aesthetics you wish to achieve.

SPECIFICATION DATA:

Material of construction is Stainless steel

Notes

- Specify : Dome center Drop, Inside Drop, Outside drop, Vertical Pattern.
- Nozzle angle can be adjusted after installation.
- Provide basket strainer or 'Y' type strainer for nozzle orifice protection.

OPERATING DATA:

Noise : Good
 Visibility : Excellent
 Splash/ Mist : Good
 Wind Stability : Good
 Aeration Quality : Good



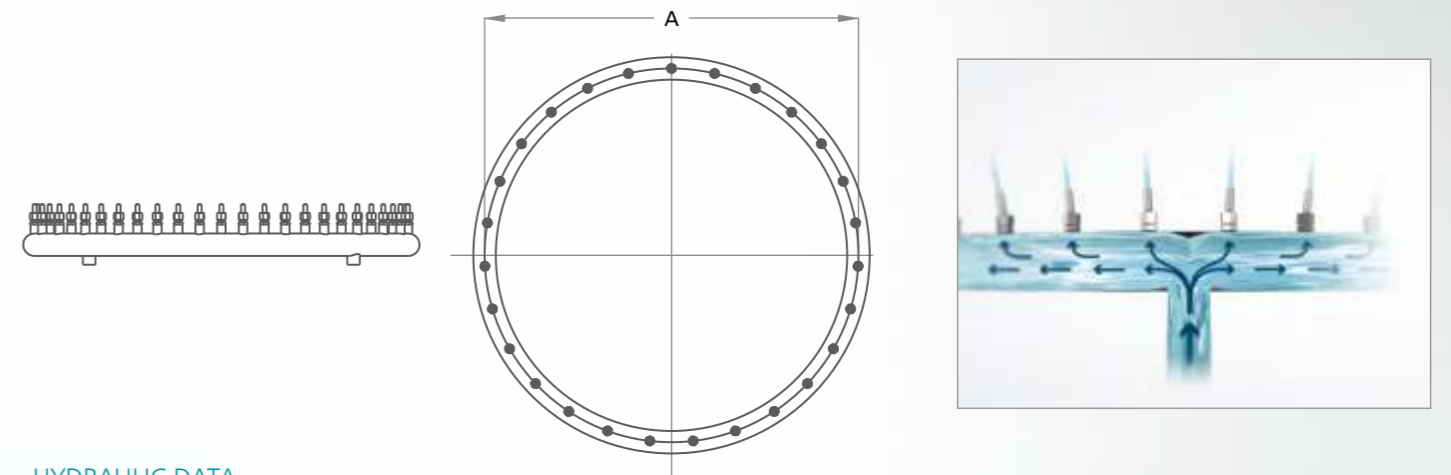
Outside Drop



Inside Drop



Straight Jet



HYDRAULIC DATA

Model No.	Dia Mtr. in mm (A)	Type of Nozzles	Jet orifice In mm	Quantity of nozzle		Spray Height in Meter						
						0.5	1.0	1.5	2.0	2.5	3.0	4.0
PF 9012	300	PF 1010	4.75	12	LPM	68	95	104	117	140	180	225
					Head in Mtr	1.82	3.04	3.65	4.87	5.60	5.90	6.00
PF 9018	450	PF 1010	4.75	18	LPM	102	143	156	176	210	270	330
					Head in Mtr	1.82	3.04	3.65	4.87	5.60	5.90	6.00
PF 9024	600	PF 1010	4.75	24	LPM	136	190	208	235	280	360	440
					Head in Mtr	1.82	3.04	3.65	4.87	5.60	5.90	6.00
PF 9030	750	PF 1010	4.75	22	LPM	136	190	208	235	280	360	440
					Head in Mtr	1.82	3.04	3.65	4.87	5.60	5.90	6.00
PF 9036	900	PF 1010	4.75	27	LPM	153	214	234	265	316	405	495
					Head in Mtr	1.82	3.04	3.65	4.87	5.60	5.90	6.00
PF 9048	1200	PF 1010	4.75	36	LPM	204	286	313	353	421	540	660
					Head in Mtr	1.82	3.04	3.65	4.87	5.60	5.90	6.00
PF 9060	1500	PF 1011	6.35	45	LPM	476	578	680	850	1020	1035	1095
					Head in Mtr	1.82	3.04	3.65	4.87	5.60	5.90	6.00
PF 9072	1800	PF 1011	6.35	54	LPM	571	693	816	1020	1224	1428	1700
					Head in Mtr	1.82	3.04	3.65	4.87	5.60	5.90	6.00
PF 9096	2400	PF 1011	6.35	72	LPM	761	925	1088	1360	1632	1728	1850
					Head in Mtr	1.82	3.04	3.65	4.87	5.60	5.90	6.00
PF 9120	3000	PF 1011	6.35	90	LPM	952	1156	1360	1701	2041	2160	2350
					Head in Mtr	1.82	3.04	3.65	4.87	5.60	5.90	6.00

FOG JET



DESIGN / APPLICATION DATA:

Aquascape Fog Jet is designed for low wind area. It's not to create great height, but rather large volume making it particularly suitable for architectural fountains.

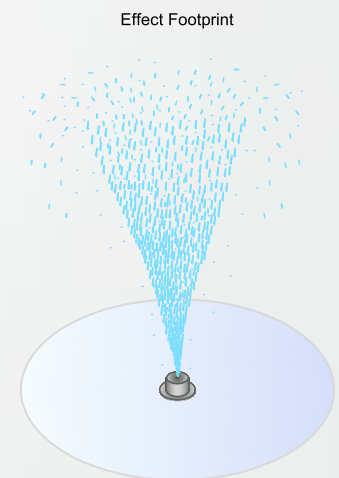
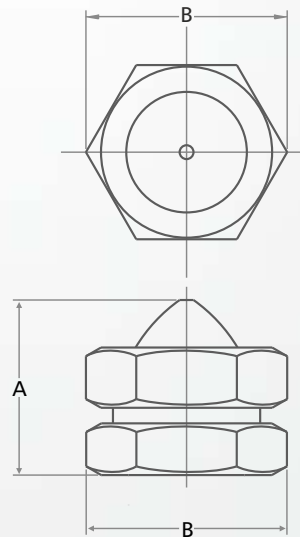
Please bear in mind that when installed in outdoor fountains, due to the small weight of the droplet, the wind can easily "overflow" the water fountain; therefore, it should not be installed in wind area.

SPECIFICATION DATA:

Material of construction is bronze with Stainless steel cap

OPERATING DATA:

Noise : Poor
 Visibility : Good
 Splash : Poor
 Wind Stability : Poor
 Aeration Quality : Good



HYDRAULIC DATA

Model No.	BSP	Orifice in mm	Dimension A (mm)	Dimension B (mm)		Spray Height in Meter			
						0.50	1.00	1.50	2.00
PF 0105	3/8"	2.75	35	35	LPM	4.40	5.70	7.50	9.60
					Head in Mtr.	1.80	3.50	5.00	6.00

FLOATER



DESIGN/APPLICATION DATA:

Driven by innovation and quality, Aquascape manufactures the premier floating fountains on the market today. We offer unique choice to our customers on both the display patterns and the operating systems depending upon your needs.

Floating Fountains are a very elegant way to create dynamic sculptural water and light effects. Floating fountains constitute a water treatment system which is virtually maintenance - free. It is possible to exchange nozzles within the same power range of the pump to enlarge the variety of visual appearance.

Our experience in this field enables us to provide reliable products of superior value.

Variety of spray patterns and lighting configurations, we have a wide range of attractive products with practical features. Rugged foam filled fiber glass flotation, in black low profile design. Operation in 48 inches depth of water for most models, 60 inches for models 5 HP and larger. Hand adjustable control valves, plus adjustable swivel nozzles on many models, allow a single fountain to produce many patterns and adapt their shape to smaller lakes.

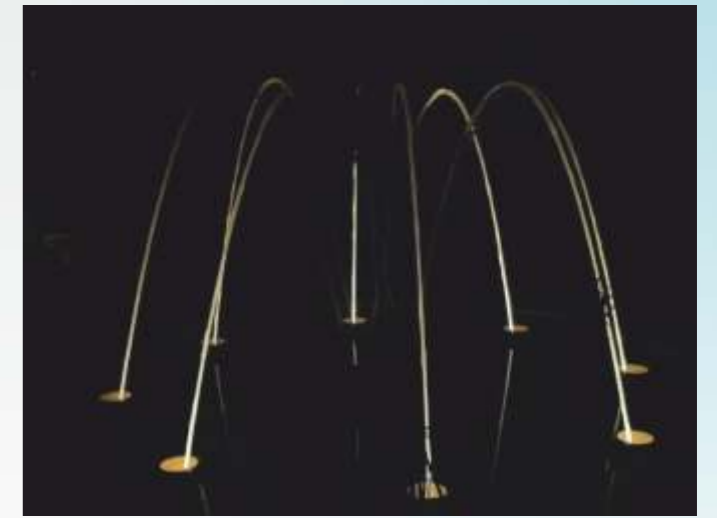
SPECIFICATION DATA:

Material of construction is FRP with foam filled.



Model No.	Floater Dia in Mtr.	Minimum Water Depth in Mtr.	Connection Size for Nozzle (BSP)	Connection Size for Pump (BSP)	Suitable Pump HP
FLR36	1.00	1.80	2 1/2"	2 1/2"	Upto 2HP
FLR48	1.20	2.00	3"	3"	Upto 5HP

LAMINAR JET



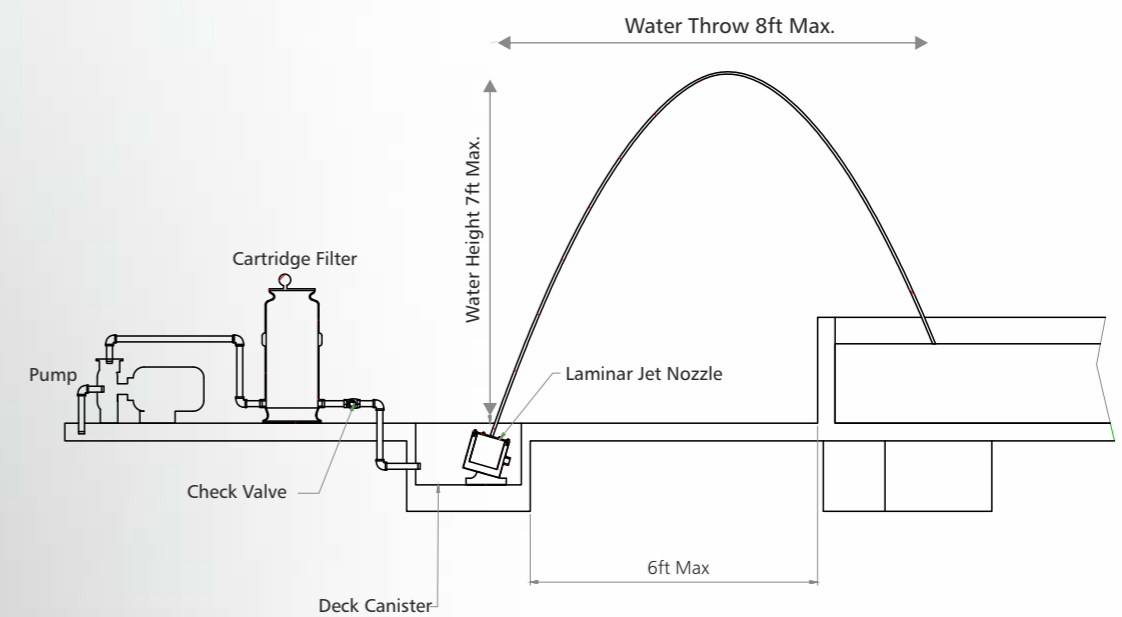
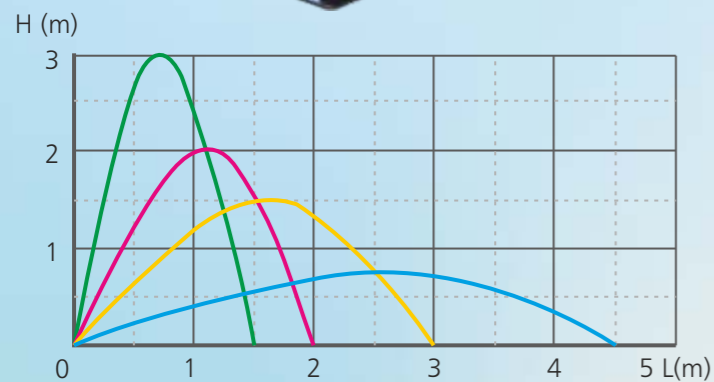
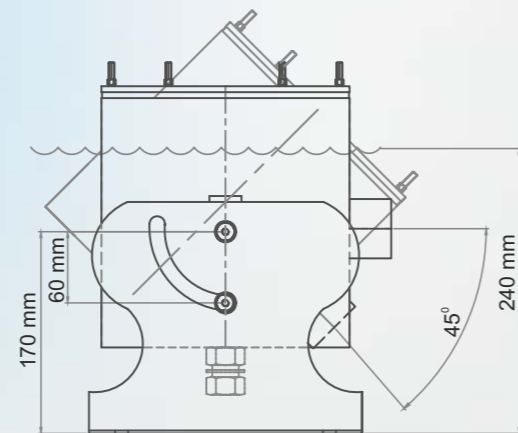
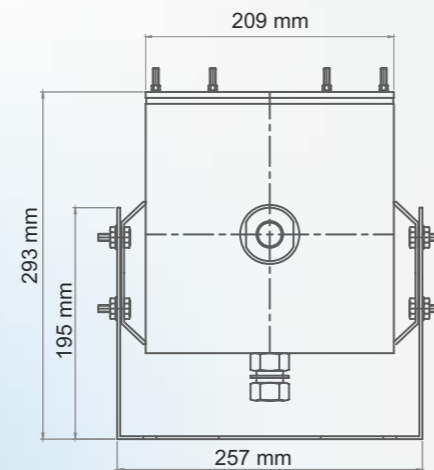
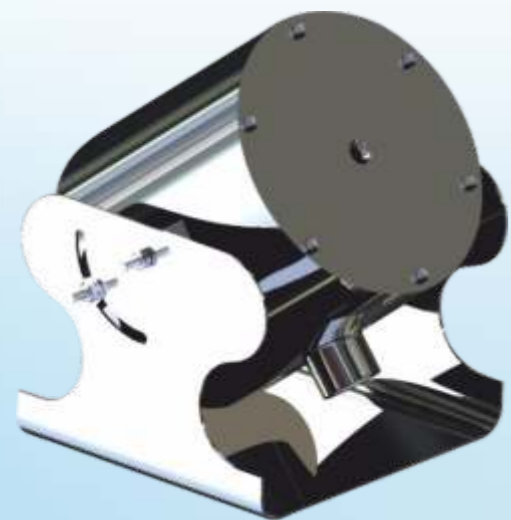
DESIGN / APPLICATION DATA:

Laminar Jets clear or lighted arcs of water as they silently enter your pool or spa. Laminar Jets create spectacular backyard water entertainment with dazzling nighttime lighting effects.

Laminar Jets create a glass-like rod of water that is perfectly clear and still. With lighted jet, the water appears to glow.

SPECIFICATION DATA:

Material of construction is Stainless steel 316



SLAB HANGING DRY DECK JET



DESIGN / APPLICATION DATA:

This Jet is preferred and popular solutions for dry deck fountains. Jet coming with constant flow (Not programmable) and made from Stainless steel. It is designed to be safe walk on top as it is absolutely flat. Can be adjust upto 5° from center line

This jet is easy to maintain incorporates a nozzle and a circular light ready to install unit. Available with 4 different interchangeable nozzle options.

SPECIFICATION DATA:

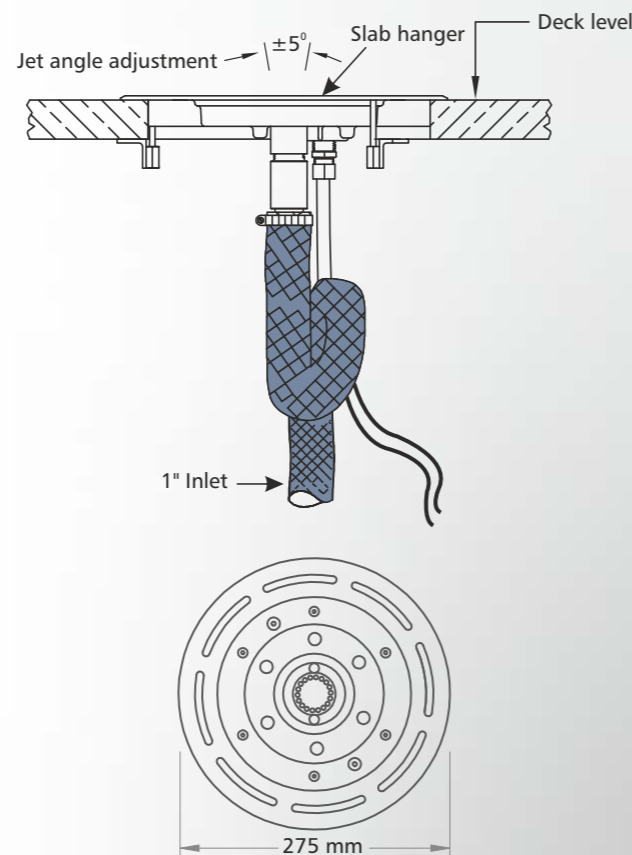
Material of construction is Stainless steel 316

LIGHTING:

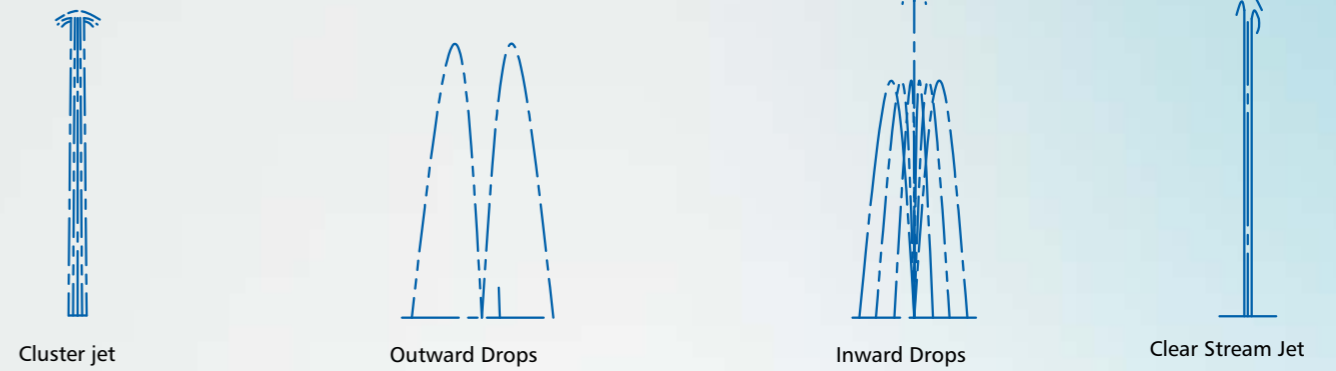
Circular LED light 12V DCx 18W



SHJ018



Nozzle Effects



HYDRAULIC DATA

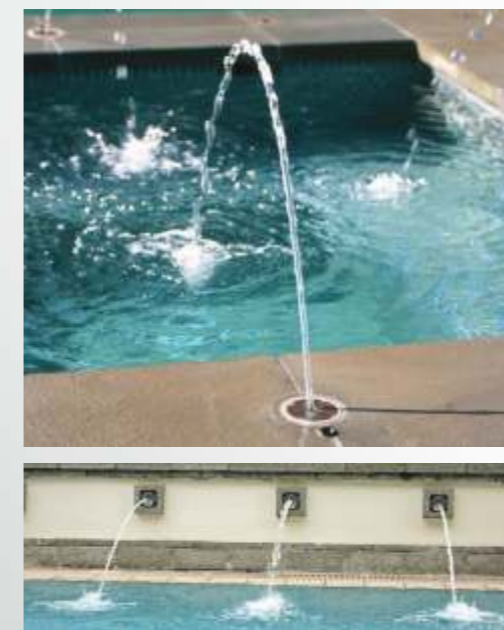
Nozzle		Spray height in Meter				
		1.00	2.00	3.00	4.00	5.00
Cluster Jet	LPM	45	60	75	80	87
	Head in Mtr	5.50	10.50	16.50	22.00	25.00

Nozzle		Spray height in Meter				
		1.00	1.50	2.00	3.00	4.00
Inward Drop	LPM	9	10	11	14	15
	Head in Mtr	4.50	5.50	7.00	10.00	13.00

Nozzle		Spray height in Meter				
		0.5	1.00	1.50	2.00	2.50
Outward Drop	LPM	35	45	57	65	70
	Head in Mtr	3.40	5.00	9.00	11.00	14.00

Nozzle		Spray height in Meter				
		1.00	1.50	2.00	3.00	4.00
Clear Stream Jet	LPM	35	45	50	60	70
	Head in Mtr	3.50	5.50	7.00	10.00	13.00

DECK JET

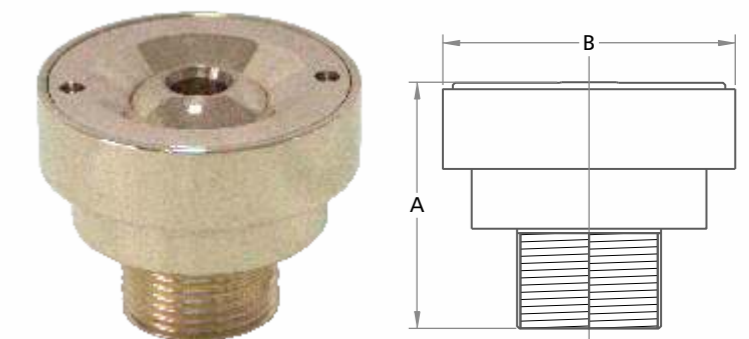


DESIGN / APPLICATION DATA:

This directionally adjustable clear stream nozzle is designed for applications that required flush deck level mounting such as swimming pool decks and children public water play area.

SPECIFICATION DATA:

Material of construction is bronze



HYDRAULIC DATA

Model No.	BSP	Orifice in mm	Dimension A (mm)	Dimension B (mm)		Spray Height in Meter									
						0.25	0.50	0.75	1.00	1.25	1.50	2.00	2.50	3.00	4.00
DJ25	1"	10	54	66	LPM	13.80	18.38	21.87	24.88	27.57	30.03	34.47	38.48	42.19	48.90
					Head in Mtr.	0.30	0.60	0.90	1.20	1.51	1.81	2.42	3.03	3.64	4.88

SLAB HANGING WATERSWITCH



DESIGN / APPLICATION DATA:

This Jet is preferred and popular solutions for dry deck fountains. This jet is an exciting interactive jet that produces programmable effects at high switching speed. It is designed to be safe walk on top as it is absolutely flat. This jet is easy to maintain incorporates a nozzle and a circular light ready to install unit. Available with 4 different inchargeable nozzle options.

SPECIFICATION DATA:

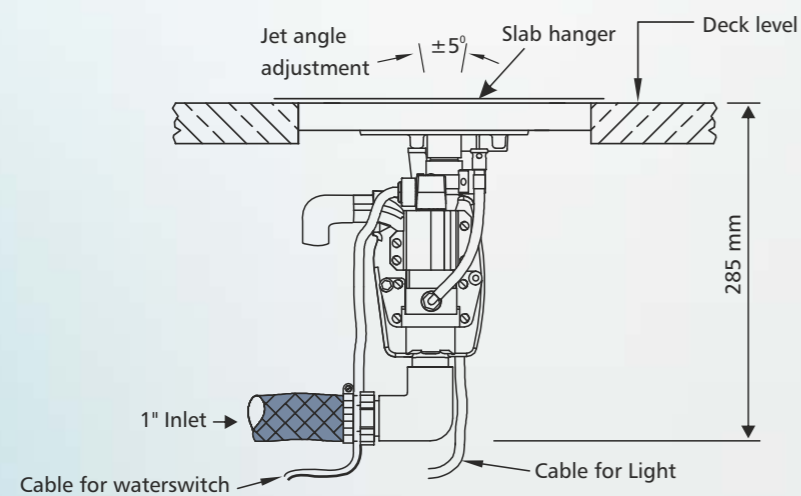
Material of construction is Stainless steel 316/ Bronze

LIGHTING:

Circular LED light 12V DC x 18W

Notes:

- With group of Waterswitches we can produce wide verity of geometric patterns.
- Multiple height of each Waterswitch can be achieve Variable Frequency Device (VFD)
- Drive and submerge both applications.
- 12V DC x 18W LED RGB circular light produce dramatic lighting show.
- Can be adjust upto 5° from center line
- Less than 10mm opening in slab hanger prevent toe entrapment for safety.



Nozzle Effects



Cluster jet



Outward Drops



Inward Drops



Clear Stream Jet

HYDRAULIC DATA

Nozzle		Spray height in Meter				
		1.00	2.00	3.00	4.00	5.00
Cluster Jet	LPM	45	60	75	80	87
	Head in Mtr	5.50	10.50	16.50	22.00	25.00

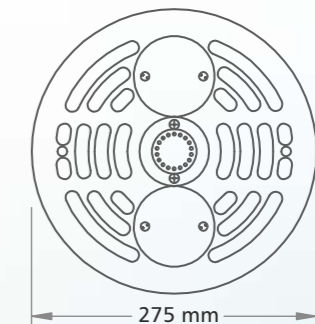
Nozzle		Spray height in Meter				
		1.00	1.50	2.00	3.00	4.00
Inward Drop	LPM	9	10	11	14	15
	Head in Mtr	4.50	5.50	7.00	10.00	13.00

Nozzle		Spray height in Meter				
		0.5	1.00	1.50	2.00	2.50
Outward Drop	LPM	35	45	57	65	70
	Head in Mtr	3.40	5.00	9.00	11.00	14.00

Nozzle		Spray height in Meter				
		1.00	1.50	2.00	3.00	4.00
Clear Stream Jet	LPM	35	45	50	60	70
	Head in Mtr	3.50	5.50	7.00	10.00	13.00



SHW018



SWS206



BALL JOINT

DIRECTION SWIVEL UNION

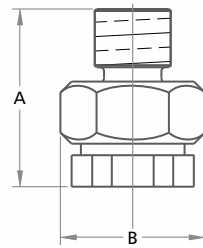
DESIGN / APPLICATION DATA:

PF 800 Series directional swivel unions (Ball joint) are used to align those jets and nozzles that do not have a swivel base incorporated and required directional adjustment beyond 5 to 15 off centerline.

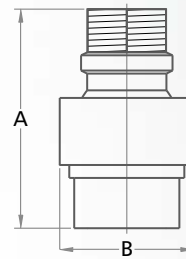
SPECIFICATION DATA:

Material of construction is made from cast bronze with teflon sealing and Stainless steel fasteners.

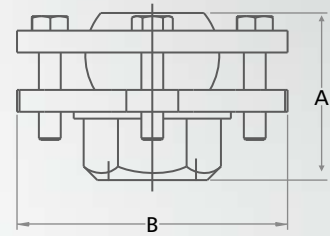
Model No.	BSP	Dimension A (mm)	Dimension B (mm)
PF 803	1/2"	60	34
PF 804	3/4"	72	45
PF 805	1"	62	98
PF 807	1 1/2"	75	116
PF 808	2"	90	136
PF 809	2 1/2"	103	155
PF 812	3"	110	175
PF 813	4"	129	197



PF 803



PF 804



PF 805 to PF 813



ADJUSTABLE FLANGES

DESIGN / APPLICATION DATA:

Adjustable Flanges are made from cast bronze and Stainless steel fitted. Adjustable Flanges are designed to permit limited directional adjustment of spray jets or nozzles that do not have swivel bases. Maximum 5 degree of adjustment from centre line is possible.

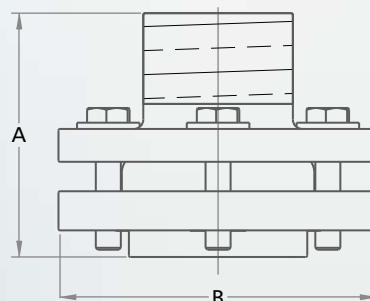
TO ADJUST:

Loosen bolts on opposite side to intended direction of adjustment and tighten bolt in line of intended adjustment then lock all bolts.

SPECIFICATION DATA:

Material of construction is cast bronze with teflon sealing and Stainless steel fasteners.

Model No.	BSP	Dimension A (mm)	Dimension B (mm)
PF 905	1/2"	61	84
PF 907	1 1/2"	77	102
PF 908	2"	80	119
PF 912	3"	83	162
PF 913	4"	87	186



JUNCTION BOXES

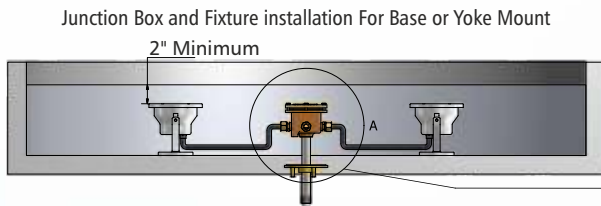
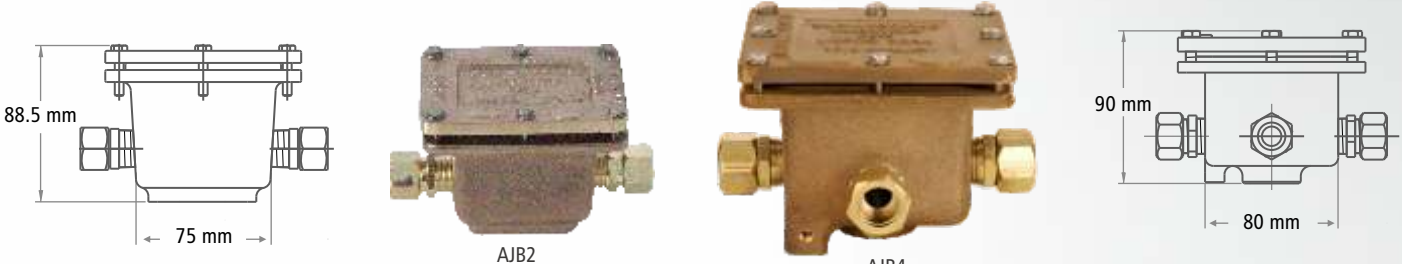
DESIGN / APPLICATION DATA:

Aquascape Junction Boxes made from cast bronze, Stainless steel fitted and with a neoprene cover gasket. Outlet is NPT tapped for 1/2" or 3/4" NPT Cord seals and for internal and external (earth) connections. Aquascape Junction Boxes must be installed in conformance with all applicable electrical codes. The conduit connection(s) as well as cord seals must be installed with approved water sealing thread seal.

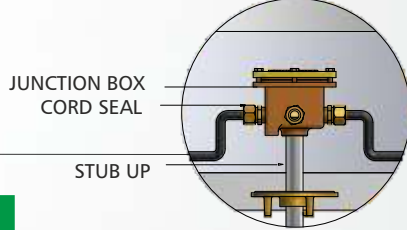
Notes:

- All Tapings are NPT unless specified.
- Otherwise conduit number and size must be specified.
- Outlets must be specified as to number and size (1/2" or 3/4").
- Orders without outlet specifications will be supplied with maximum number of 1/2" NPT outlets.
- Unused openings must be closed with brass or Stainless steel NPT threaded plugs.

Model No.	Bottom Inlet	Side outlets	Side outlets connection Nos
AJB2	3/4" NPT	1/2"	2
AJB4	3/4" NPT	1/2"	4



Underwater Junction box Installation Detail For Base or Yoke Mount Fixtures



CORD SEAL

DESIGN / APPLICATION DATA:

Cord seals are made from brass and fitted with neoprene gland.

Cord seals are used to connect most "Aquascape" submersible light fixtures and junction boxes.

Model No.	NPT connection	Suitable Cable
ACS30	3/8"	0.75 mm ² x 4 Core
ACS50	1/2"	1.05 mm ² x 3 Core
ACS51	1/2"	2.5 mm ² x 3 Core
ACS75	3/4"	4.00 mm ² & 6mm ² x 3 Core



HEIGHT CONTROL VALVE



JACUZZI



TRADITIONAL SUBMERSIBLE FOUNTAIN LIGHTS

DESIGN / APPLICATION DATA:

Aquascape Traditional Fountain lights are made from cast bronze and suitable for Submersed or Partial immersed installation. The light fixture is designed for more illumination in water fountain.

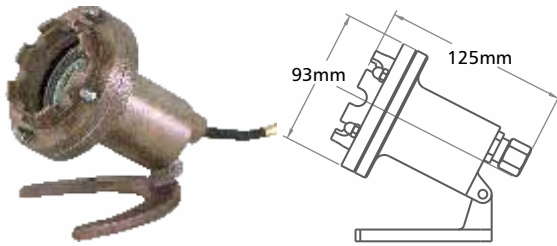
CONSTRUCTION OF LIGHT FIXTURE:

Cast bronze (85/5/5/5 copper alloy) with Stainless steel fasteners.

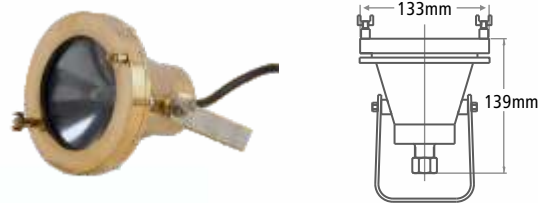
ELECTRICAL CABLE : H07RN-F

LAMP SEAL :

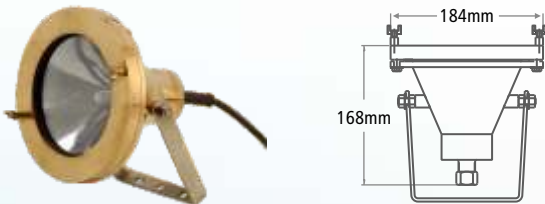
High temperature silicon rubber 'O' ring around neck of lamp.



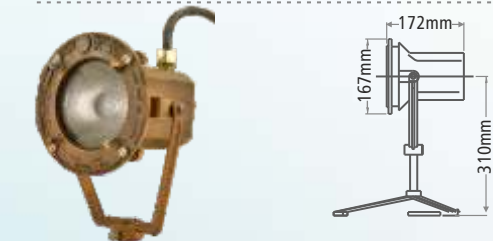
Model No.	Voltage	Wattage	Cable outlets	Type of Lamp
PF 1500	12V	50W	1	MR16



Model No.	Voltage	Wattage	Cable outlets	Type of Lamp
PF 2000	12V	100W	1	Halogen Lamp



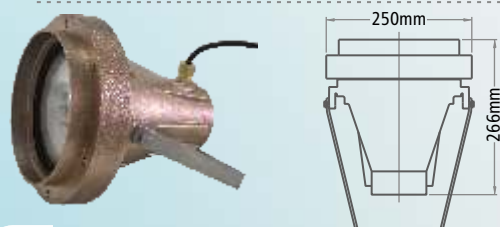
Model No.	Voltage	Wattage	Cable outlets	Type of Lamp
PF 2500	24V	150W	1	Halogen Lamp



Model No.	Voltage	Wattage	Cable outlets	Type of Lamp
PF 3000	12V	120W	1	PAR 38
	240V	120W		



Model No.	Voltage	Wattage	Cable outlets	Type of Lamp
PF 3500	12V	300W	1	PAR 56
	240V	300W		



Model No.	Voltage	Wattage	Cable outlets	Type of Lamp
PF 5000	240V	500W	1	PAR 64
	240V	1000W		

LED FOUNTAIN LIGHTS



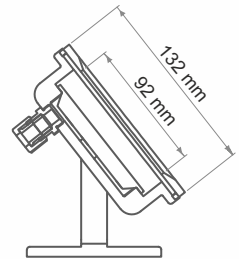
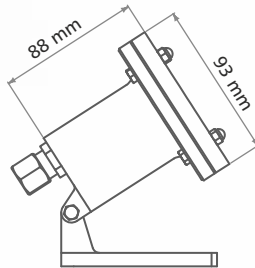
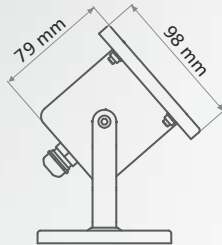
LED009 (Stainless steel 316)



LED009 (Bronze)



LED012 (Bronze)



DESIGN / APPLICATION DATA:

LED lighting is an exciting new way of thinking about and installing a lighting system. At the heart of each LED (Light Emitting Diode) is a microprocessor that emits light when an electric current passes through it. As each diode can be programmed individually, digital light shows can switch with incredible speed, variation and accuracy. With RGB color (Red, Green, Blue) you have a virtually unlimited palette of color to work with.

OTHER ADVANTAGES OF LED LIGHTS:

- Lower power requirements
- High Efficiency/Produces Less Heat
- Long life/Saves Maintenance Time and Costs
- Limitless Design Flexibility with Color Intensity/Variety
- Can individually control each LED lamp for limitless color sequencing potential

ELECTRICAL CABLE:

LED RGB : H07RN-F 4core 0.75 Sq/mm

LED Single color : H07RN-F 2core 1 Sq/mm

Model No.	Wattage	MOC	Color
LED009	12V x 9W	Made from Stainless Steel 316	White, Warm White, Blue & RGB
LED009	12V x 9W	Made from Bronze With chrome plated or Without Chrome plated	White, Warm White, Blue & RGB
LED012	12V x 12W	Made from Bronze With chrome plated or Without Chrome plated	White, Warm White, Blue & RGB



STUB UP

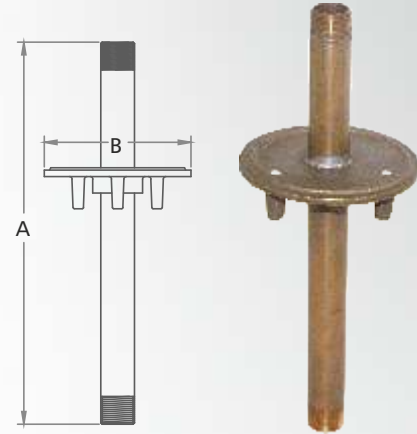
DESIGN / APPLICATION DATA:

Aquascape conduit Stub Ups provide of water tight, secure and strong penetration through concrete in to fountain pool's floor or walls. Provided with BSP (M) thread connection on either side. The cast bronze Junction boxes are threaded down securely on top. It works with Junction Boxes.

SPECIFICATION DATA:

Material of construction is bronze paddle flanges with brass pipe.

Model No.	BSP	Dimension A (mm)	Dimension B (mm)
DISU75	¾"	305	116
DISU100	1"	305	116
DISU125	1 ¼"	305	116
DISU150	1 ½"	305	116



OUTLET DRAIN

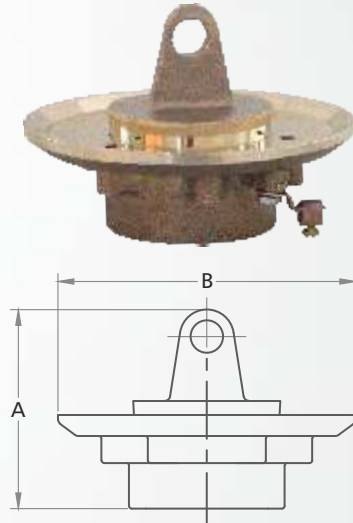
DESIGN / APPLICATION DATA:

Aquascape Outlet drains for draining pools. Plug has slip connection for easy removal. Ideal for applications that do not require waterproofing membranes and clamp collars.

SPECIFICATION DATA:

Material of construction is bronze.

Model No.	BSP	Dimension A (mm)	Dimension B (mm)
DIOD200	2"	112	165
DIOD300	3"	125	165
DIOD400	4"	125	165



INLET FITTINGS WITH FIBRE DIFFUSER

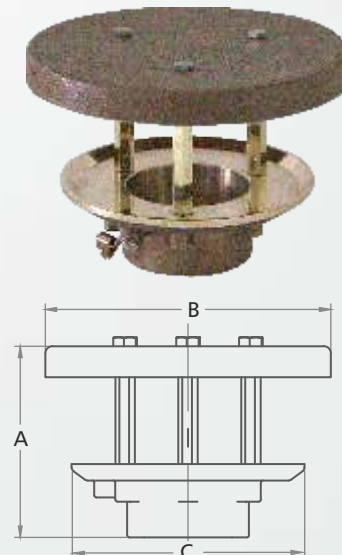
DESIGN / APPLICATION DATA:

Aquascape inlet fittings with diffusing cover are designed for use as bottom water inlet to disappear flow and reduce surface turbulence. Ideal for cascade fountains and waterfalls.

SPECIFICATION DATA:

Material of construction is bronze with Fiber glass Anti-Vortex plate.

Model No.	BSP	Dimension A (mm)	Dimension B (mm)	Dimension C (mm)
DIIF200	2"	146	203	165
DIIF300	3"	173	305	220
DIIF400	4"	180	305	220



OVERFLOW DRAIN

HEAVY DUTY

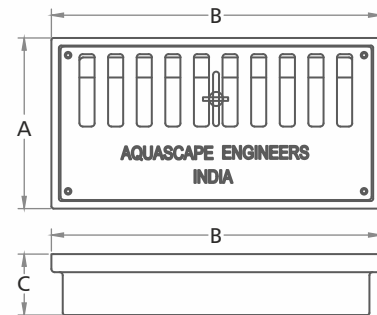
DESIGN / APPLICATION DATA:

Aquascape Heavy duty wall mounted over flow drain regulates water level. Excess water spills over adjustable weir. Single screw adjusts the weir plate to desired level after installation.

SPECIFICATION DATA:

Construction of the drain body and grate shall be bronze with Stainless steel adjustable weir plate and neoprene water tight gasket. All fasteners are Atainless steel 316.

Model No.	BSP	Dimension A (mm)	Dimension B (mm)	Dimension C (mm)
DIO300	3"	158	305	56
DIO400	4"	158	305	56



FOOT FRIENDLY SUCTION DRAIN

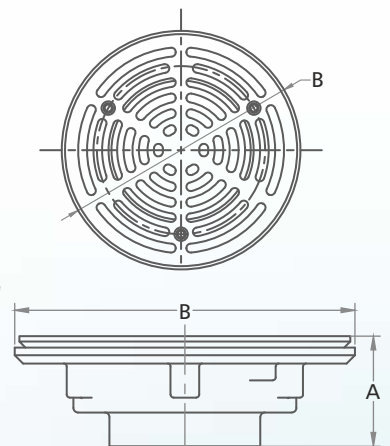
DESIGN / APPLICATION DATA:

Aquascape Foot friendly suction drain comes with flat grate and it's suitable for interactive water feature. Opening of this drain not more than 10mm. So it prevents toe entrapment.

SPECIFICATION DATA:

Material of construction is cast bronze

Model No.	BSP	Dimension A (mm)	Dimension B (mm)
DIFS300	3"	72	216
DIFS400	4"	72	216



SUCTION DRAIN

WITH FIBRE AV PLATE

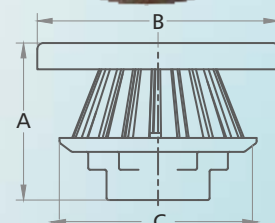
DESIGN / APPLICATION DATA:

Aquascape Suction drain designed for concrete pools. Cone shaped Steiner with debris and Anti-Vortex plate prevents air entertainment.

SPECIFICATION DATA:

Material of construction is bronze with Fiber glass plate and Stainless steel fasteners.

Model No.	BSP	Dimension A (mm)	Dimension B (mm)	Dimension C (mm)
DISD200	2"	180	305	220
DISD300	3"	180	305	220



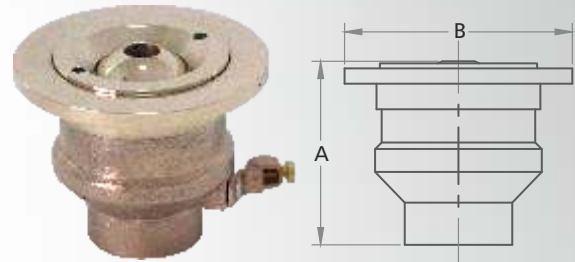
INLET FITTINGS

DESIGN / APPLICATION DATA:

Aquascape 1" Inlet Fittings are a directionally adjustable eyeball filter return for pool recirculation without flow regulator.

SPECIFICATION DATA:

Material of construction is cast bronze.



Model No.	BSP	Dimension A (mm)	Dimension B (mm)
DIIF100	1"	72	89

THREAD SLEEVE FITTINGS

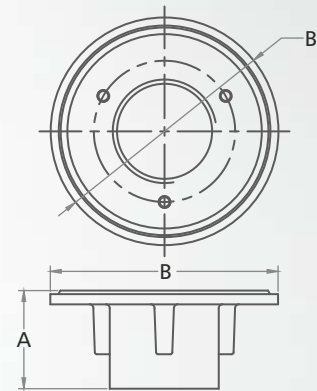
DESIGN / APPLICATION DATA:

Threaded sleeve fitting facilitates watertight penetrations through concrete slabs for supply and drain lines.

SPECIFICATION DATA:

Material of construction is cast bronze with Stainless steel fasteners.

Model No.	BSP	Dimension A (mm)	Dimension B (mm)
DITS75	3/4"	49	116
DITS100	1"	49	116
DITS125	1 1/4"	49	116
DITS150	1 1/2"	49	116
DITS200	2"	49	170
DITS300	3"	72	230



OVERFLOW DRAIN

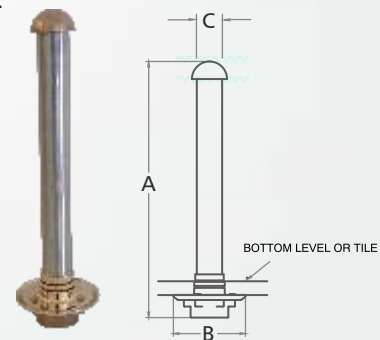
DESIGN / APPLICATION DATA:

Aquascape Overflow Drains fittings are economical solutions for overflow and outlet. When the over flow pipe is plugged in the excess water (Rain water) is emptied in the drain and when unplugged empties the basin.

SPECIFICATION DATA:

Material of construction is cast bronze with Stainless steel standpipe.

Model No.	BSP	Dimension A (mm)	Dimension B (mm)	Dimension C (mm)
DIOF200	2"	600	164	58
DIOF300	3"	600	220	76
DIOF400	4"	600	220	100



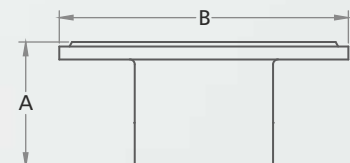
DRAIN PLUG

DESIGN / APPLICATION DATA:

Aquascape drain plug is made from cast bronze. Removable thread bronze plug. Used as a vacuum fitting too.

SPECIFICATION DATA: Material of construction is bronze

Model No.	BSP	Dimension A (mm)	Dimension B (mm)
DIDP150	1 1/2"	45	90
DIDP200	2"	50	115



FRAME & GRATES

DESIGN / APPLICATION DATA:

Aquascape Frame & Grate is Stainless steel 316 material. Top cover mirror polished (can offer brush finish, on request) and rest of the body is in mill finish.

Model: FG 080

200x 200 mm Frame & grate opening area is 82.68cm². Maximum recommended flow 15m³/hr.

Model: FG 120

300x 300 mm Frame & grate opening area is 249.25cm². Maximum recommended flow 43m³/hr.

Model: FG 200

500x 500 mm Frame & grate maximum recommended flow 43m³/hr.



WALL INLET

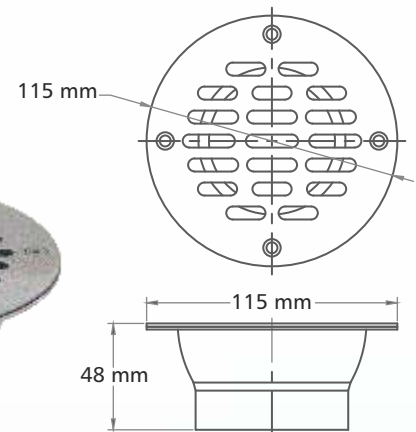
DESIGN / APPLICATION DATA:

Aquascape 2" Wall inlet in Stainless steel 316 material. Top cover is mirror polished (Can offer brush finish, on request) and rest of the body is in mill finish.

Opening area is 23cm².

Maximum recommended flow is 15m³/hr

Model No: WI 020

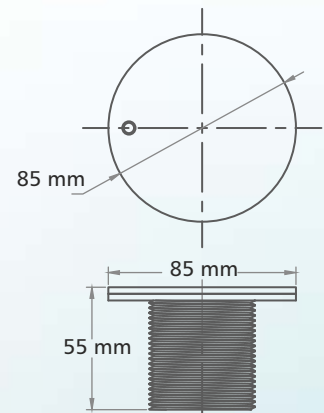


VACUUM POINT (Suction point)

DESIGN / APPLICATION DATA:

1 1/2" Vacuum point (Suction point) in Stainless steel 316 material. Top cover is mirror polished (can offer brush finish on request) and rest of the body is in mill finish.

Model No: VP 015

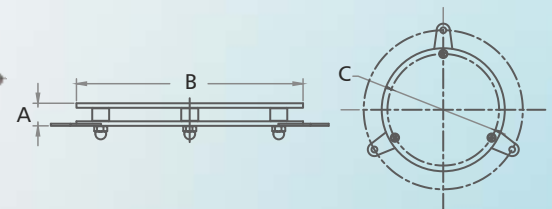


ANTI VORTEX FRAME & PLATE

DESIGN / APPLICATION DATA:

Aquascape Anti vortex frame and plate (Diverter Plate) disappear flow and reduce surface. Made from Stainless steel 316.

Model No	Dimension A (mm)	Dimension B (mm)	Dimension C (mm)
DP 200	30	200	170
DP 300	40	300	260
DP 500	43	500	460

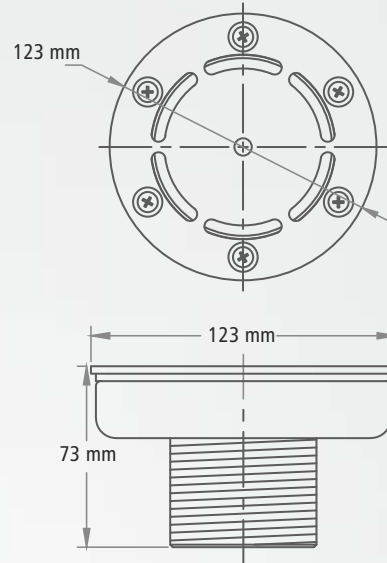


FLOOR RETURN INLET

DESIGN / APPLICATION DATA:

Aquascape Floor Return Inlet having 2" Male thread. Made from Stainless steel 316. For both concrete and pre fabricated pools. Water flow can be adjustable by the centre screw.

Model: FI 020

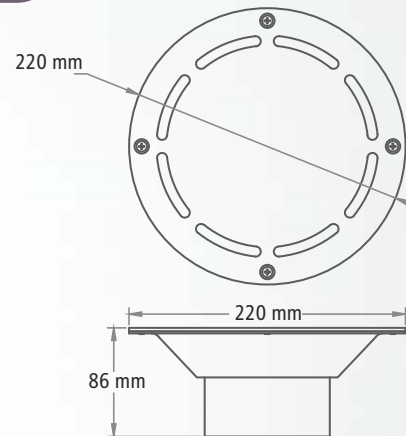


FLOOR INLET

DESIGN / APPLICATION DATA:

Aquascape Floor Inlet 3" Male thread and made from Stainless steel 316 for concrete pools.

Model No : FI 030

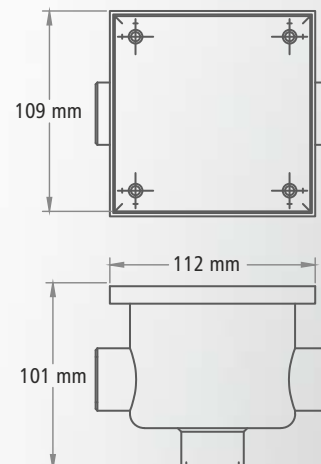


DECK BOX (Connection Box)

DESIGN / APPLICATION DATA:

Aquascape Deck Box (Connection box) made from Stainless steel 316. 2 Side outlets and 1 inlet. All the threads are 3/4" BSP connection.

Model: DB 020



CONVERSION DATA

FLOW

Convert from	Multiply by	Convert into
USGPM	0.0631	Litres/second
USGPM	3.785	Litres/minute
USGPM	227.3	Litres/hour
Litres/sec.	15.85	USGPM
Litres/min.	0.264	USGPM
Litres/hour	0.0044	USGPM
Cu. Ft./sec.	448.83	USGPM
Cu. M./min.	264.2	USGPM

PRESSURE

Convert from	Multiply by	Convert into
PSI	6.895	KPA
PSI	2.31	Ft. Head
KPA	0.145	PSI
KPA	0.334	Ft. Head
Ft.Head	2.99	KPA
Ft.Head	0.433	PSI
Ft.Head	0.305	Metric Head
Ft.Head	3.28	Ft. Head

WEIGHT

Convert from	Multiply by	Convert into
U.S.Gals	8.35	Lbs.
Litres	2.2	Lbs.
Cu. Ft. Of Water	62.46	Lbs.
Cu. M. Water	22.06	Lbs.

VOLUME

Convert from	Multiply by	Convert into
U.S. Gals.	231	Cu. In.
U.S. Gals.	0.1336	Cu. Ft.
U.S. Gals.	3.785	Litres
U.S. Gals.	0.0038	Cu. Meters
Litres	0.2642	U.S. Gals
Litres	0.0353	Cu. Ft.
Cu. Metres	35.311	Cu. Ft.
Cu. Metres	264.2	U.S. Gals
Cu. Ft.	7.48	U.S. Gals
Cu. Ft.	28.329	Litres
Cu. Ft.	0.028	Cu. Metres

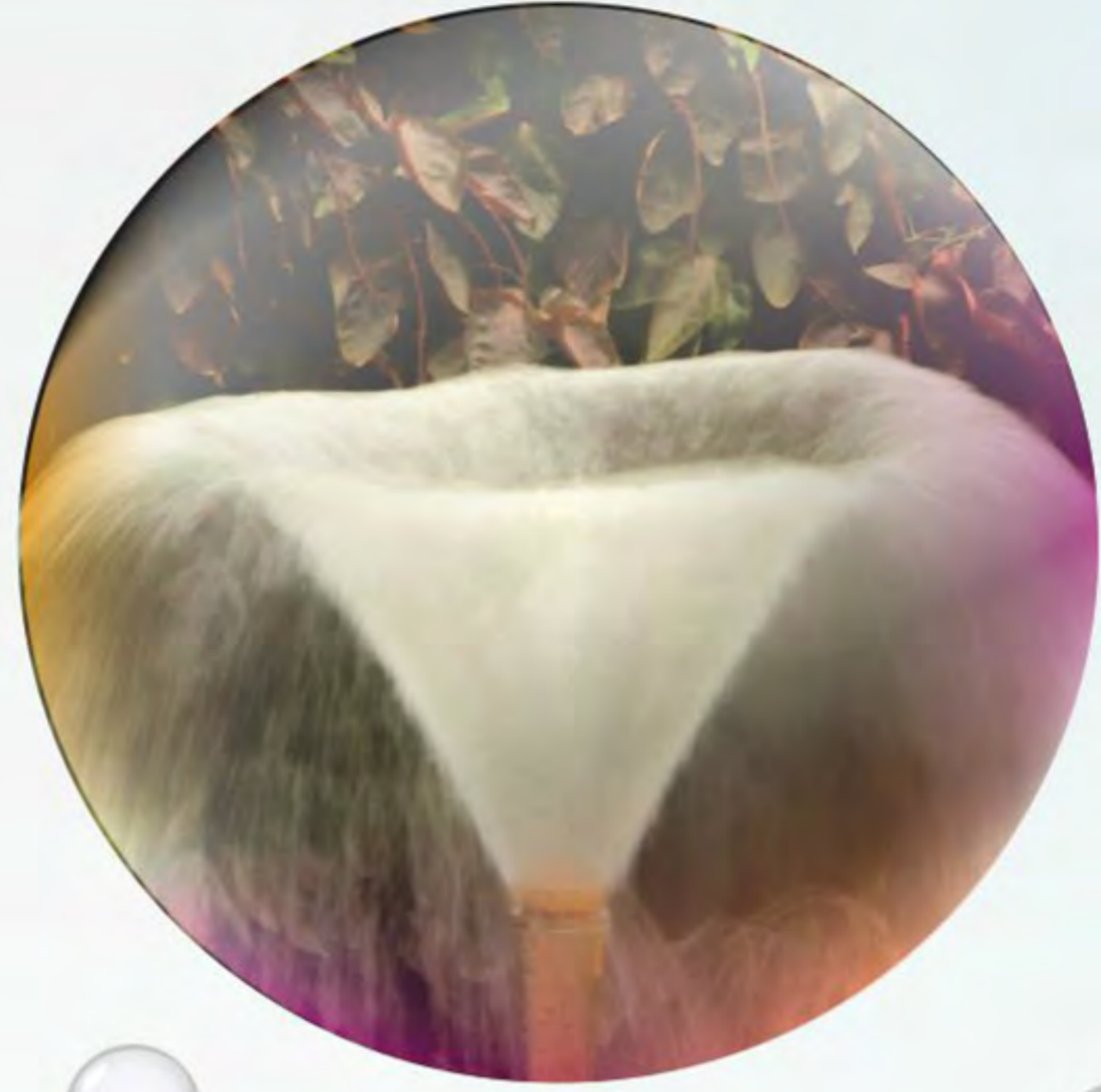
LENGTH

Convert from	Multiply by	Convert into
Inches	2.54	Centimeters
Feet	0.3048	Metres
Metres	39.37	Inches
Metres	3.28	Feet

HORSEPOWER

Convert from	Multiply by	Convert into
HP	0.746	Kilowatts
HP	745.7	Watts
Kilowatts	1.34	HP







Aquascape Engineers Pvt. Ltd.

An ISO 9001:2008 Company

Plot No. 511 / A, Opp. Rakanpur Lake
Rakanpur-Santej Road
Rakanpur - 382721, Gandhinagar - INDIA

Phone : +91 9274000201 | +91 9274000202
Web: www.fountainsnozzles.com
E-mail: info@fountainsnozzles.com

We are available at:

DUBAI - UAE
BUCHAREST - ROMANIA
POZNAN - POLAND
KITWE - ZAMBIA